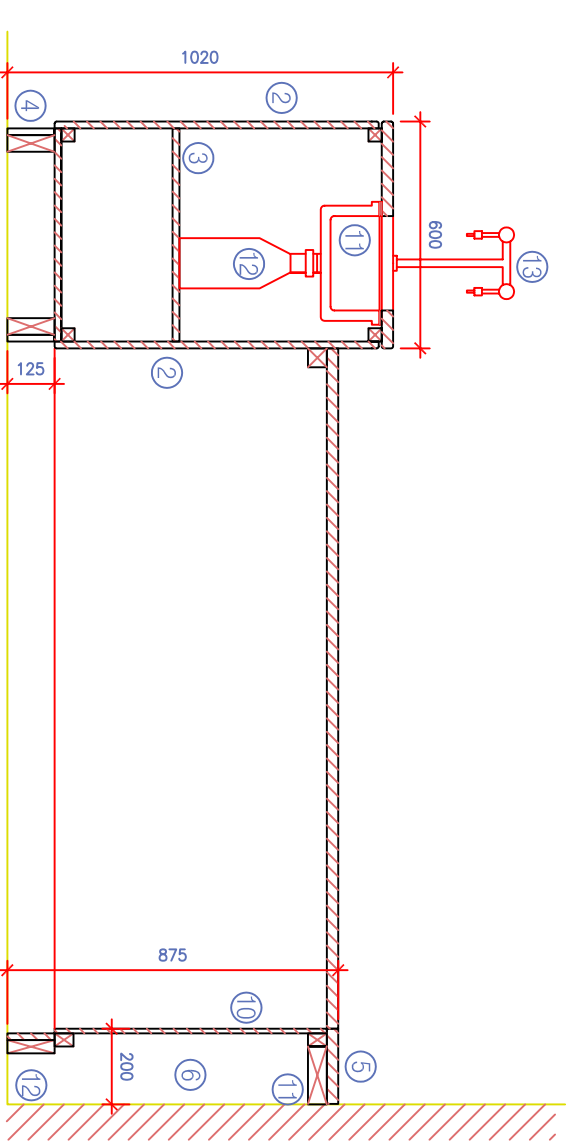
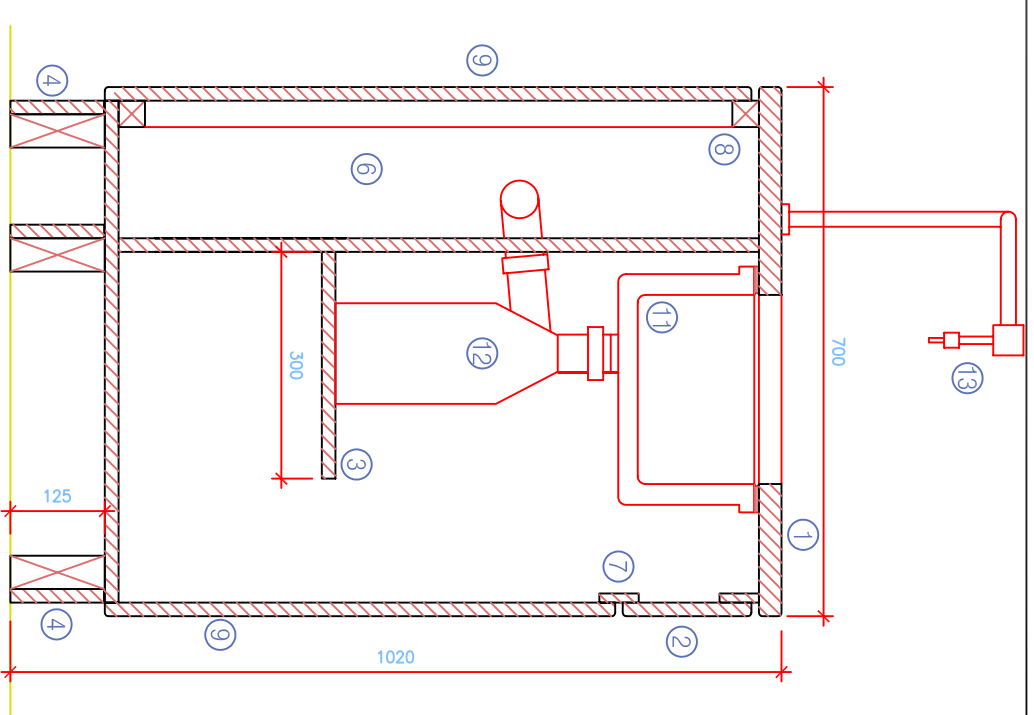


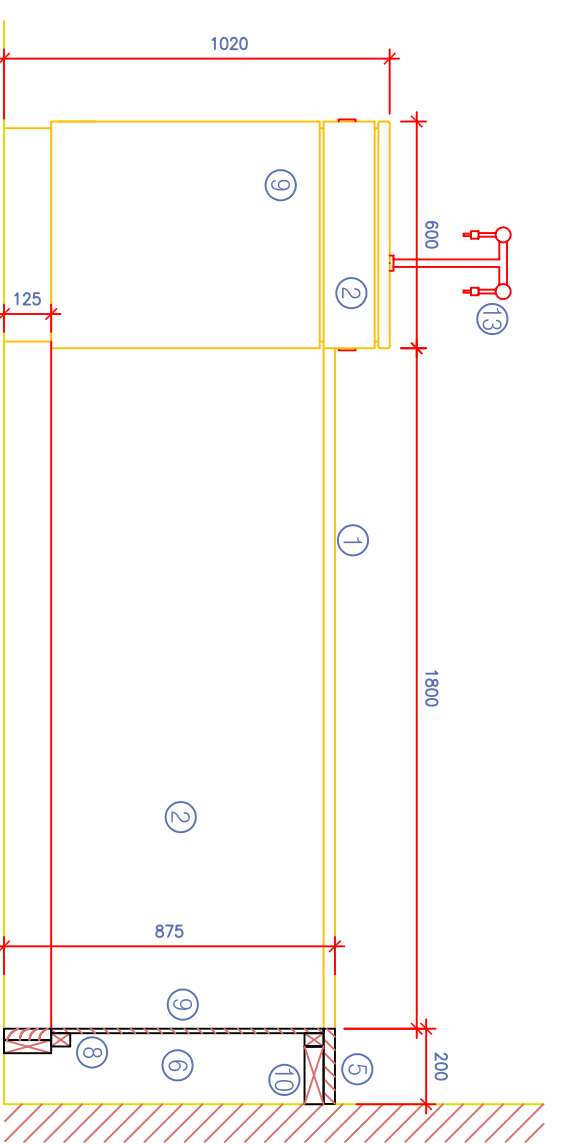
plan (1:20)



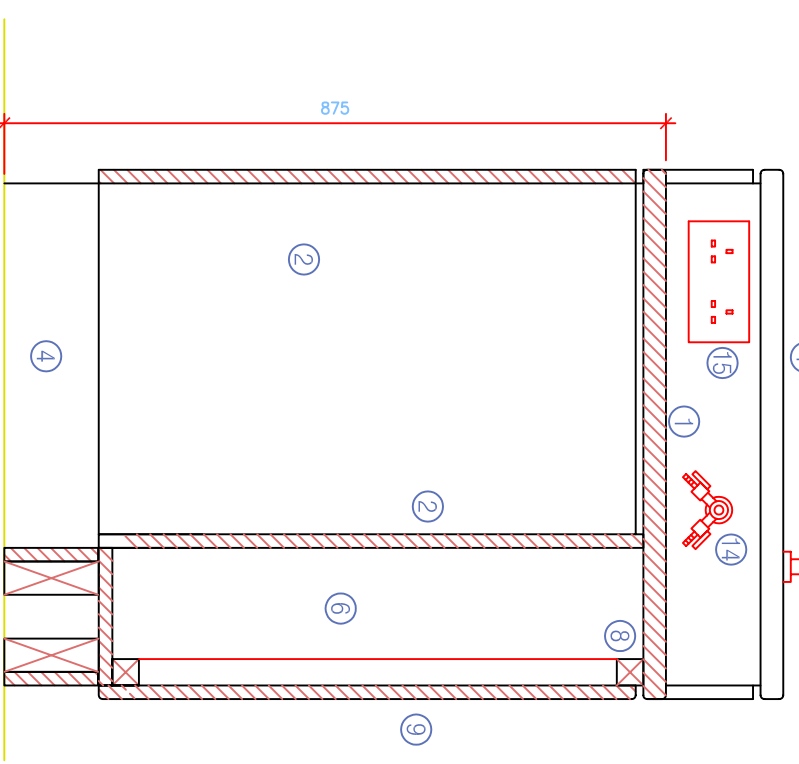
section a-a (1:20)



section b-b



elevation c-c (1:20)



section d-d

FIXED FURNITURE DETAIL S: PEDESTAL UNIT - PU2 & STUDENT SCIENCE BENCH - SSB

1. Worktop material to be selected by designer:
Option 1: 32 mm thick solid Iroko boards to specification
Option 2: Solid Core laminate to specification
2. 18 mm thick MDF panels and shelves with decorated high pressure laminate.
3. 300 mm deep removable shelf.
4. 125 x 18 mm hardwood plinth with lacquer to specification.
5. 200 mm wide cover to service duct. Material, thickness and finish to match adjacent worktop
6. Service duct. Note service duct may also be 875 mm high to suit window cill height.
7. 50 x 18 mm MDF battens with decorative high pressure laminate
8. SW battens to support removable panels.
9. 18 mm thick MDF removable panel with 6 no. Allen key recessed screws with decorative high pressure laminate.
10. SW battens/ framing to contractor's design.
11. Laboratory sink:
Option 1: heavy duty fireclay size 250 x 250 mm deep
Option 2: cast epoxy/resin.
Sink to have acid resistant waste.
Note: polypropylene sink not acceptable.
12. Polypropylene dilution recovery trap 2.3 litres volume, anti-siphon, emptied by unscrewing the base from the trap, with certified resistance to chemicals.
13. Laboratory taps: 300 mm high twin bib tap with brass body with anti-corrosive plastic coating, serrated nozzle outlets. Cold water supply, colour coded to DIN EN 13792
14. Twin 90° gas outlet with lever control and serrated nozzle outlets with anti rotation pin. Brass body with anti corrosive plastic coating, colour coded to DIN EN 13792.
15. Flush twin switched socket outlet.

Minimum Standards for materials and finishes:

Core material for worktops, doors and carcasses:
Dry Fibre Board (MDF) to I.S. EN 622-5 Class E1 formaldehyde content tested to EN 120.
Moisture resistant board to I.S. EN 622-5 MDF-H, class E1 formaldehyde content tested to EN 120.

Core materials to be finished with plastic laminates to comply with I.S. EN 438, grade HGS/HGP (including vertical panels, shelves and doors).
Balancing laminate to be used in all cases.

Edges of all laminated panels (if not postformed) to be finished with solid colour laminate (2 mm thickness), PVC or hardwood edges to seal all edges.

Solid timber to comply with IS EN 942, Class J10.
FSC/PEFC chain of custody certification required for all timber and timber products, including MDF.

Metal frames:
Generally 60x30 mm mild steel frame with welded end caps and adjustable feet. Epoxy powder coated to selected RAL colour.

Ironmongery:
Stainless steel door handles, reversed fixed through doors. High quality stainless steel or nickel plated self-closing hinges (180°) and high quality cylinder style lock on masterkey system to suit the school's requirements.

Hardwood plinth size to be coordinated with skirting height in rooms.
Note:
Alternative materials and finishes of equal or higher specification and performance are permitted.
Drawings to be read in conjunction with specification.

PEDESTAL UNIT PU2 & STUDENT SCIENCE BENCH - SSB

SCALE:	1:10/1:20
DRG No:	025
DATE:	JUNE '01
CHECKED BY :	-
PREPARED BY:	-