

1. Table top to match science pedestal unit.
Option 1: top 100 x 32 mm hardwood strips double machine jointed.
Sealed and varnished to specification. Pencil round edges and rounded corners min radius 10 mm
Option 2: Solid core laminate to specification.
2. Frame and legs: 25 x 25 x 2.5 mm square hollow section welded steel frame and tiebar.
Powder coated to selected RAL colour
3. Adjustable screw jacks and rubber feet to legs
4. 25 x 25 x 3 mm steel fixing angle 100 mm long, powder coated.

Minimum Standards for materials and finishes:

Core material for worktops, doors and carcasses:
Dry Fibre Board (MDF) to I.S. EN 622-5 Class E1 formaldehyde content tested to EN 120.
Moisture resistant board to I.S. EN 622-5 MDF-H, class E1 formaldehyde content tested to EN 120.

Core materials to be finished with plastic laminates to comply with I.S. EN 438, grade HGS/HGP (including vertical panels, shelves and doors).
Balancing laminate to be used in all cases.

Edges of all laminated panels (if not postformed) to be finished with solid colour laminate (2 mm thickness), PVC or hardwood edges to seal all edges.

Solid timber to comply with IS EN 942, Class J10.
FSC/PEFC chain of custody certification required for all timber and timber products, including MDF.

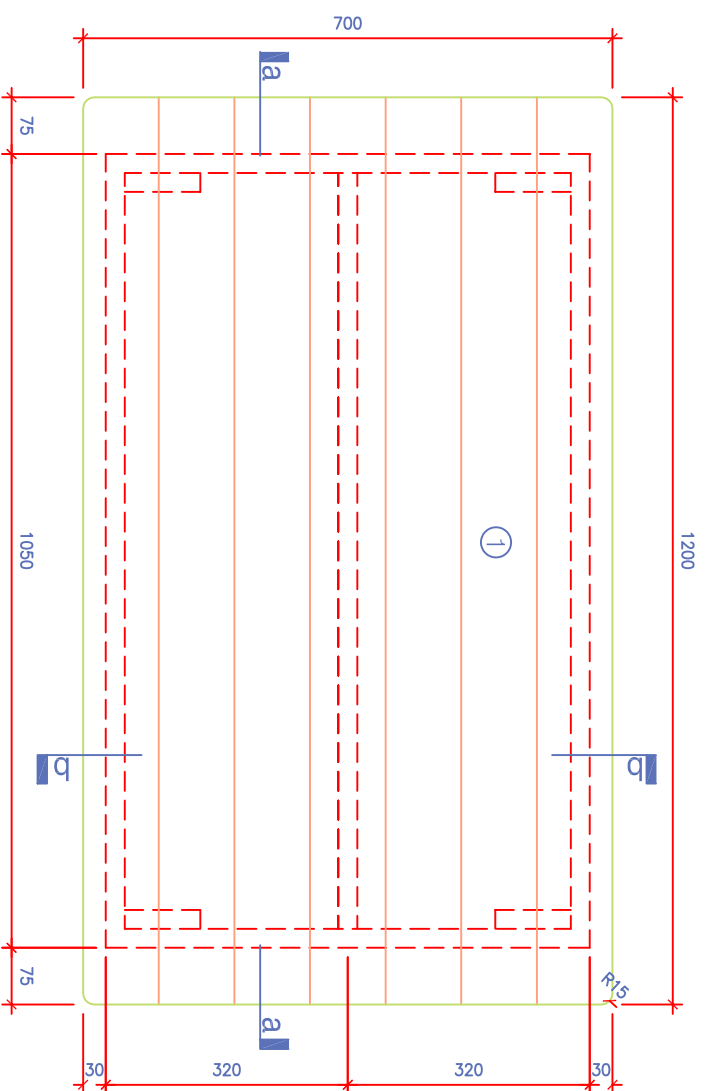
Metal frames:
Generally 60X30 mm mild steel frame with welded end caps and adjustable feet. Epoxy powder coated to selected RAL colour.

Ironmongery:
Stainless steel door handles, reversed fixed through doors. High quality stainless steel or nickel plated self-closing hinges (180°) and high quality cylinder style lock on masterkey system to suit the school's requirements.

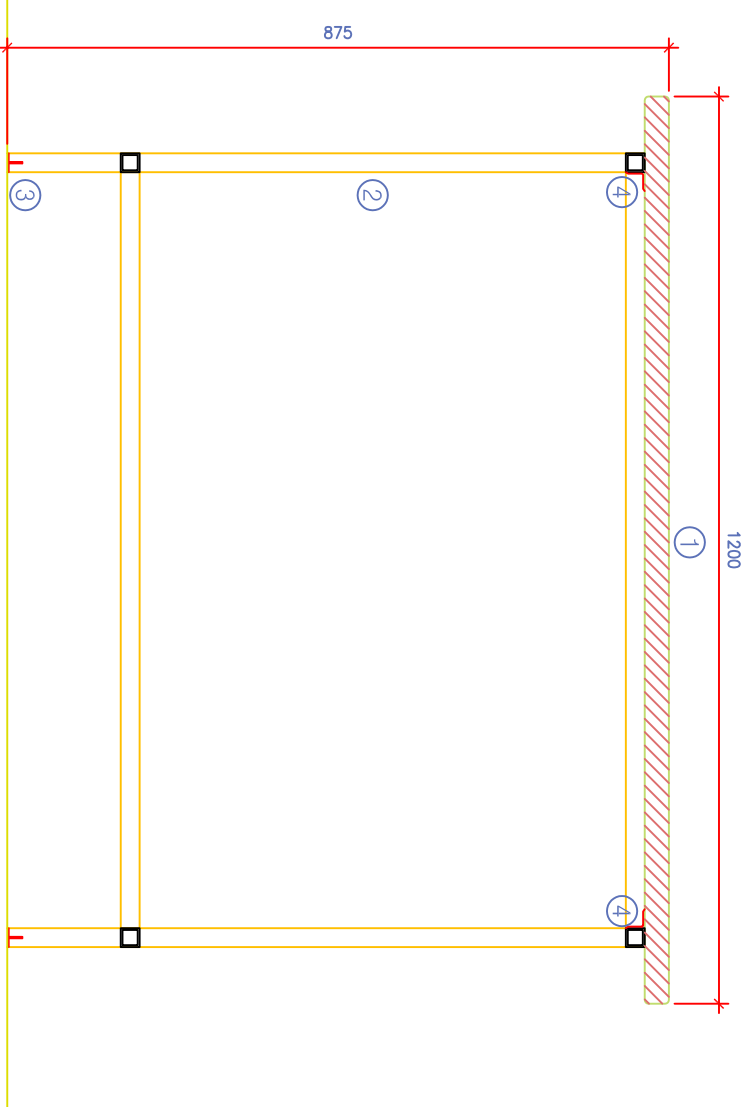
Hardwood plinth size to be coordinated with skirting height in rooms.

Note:

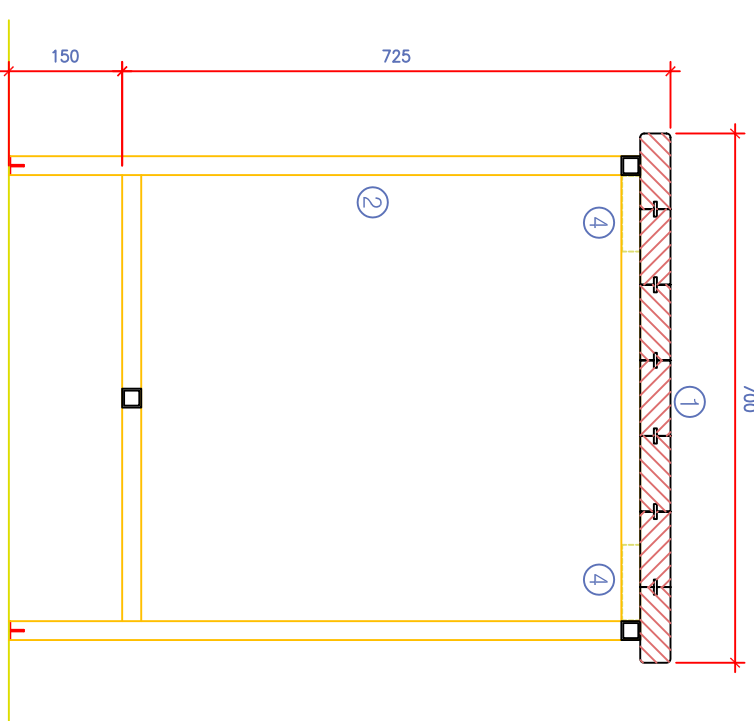
Alternative materials and finishes of equal or higher specification and performance are permitted.
Drawings to be read in conjunction with specification.



plan



section a-a



section b-b

STUDENT PROJECT TABLE - SPT

SCALE: 1:10

DRG No: 028

DATE: JUNE 10

REVISION:	CHECKED BY :	-
REMARKS:	PREPARED BY:	-

