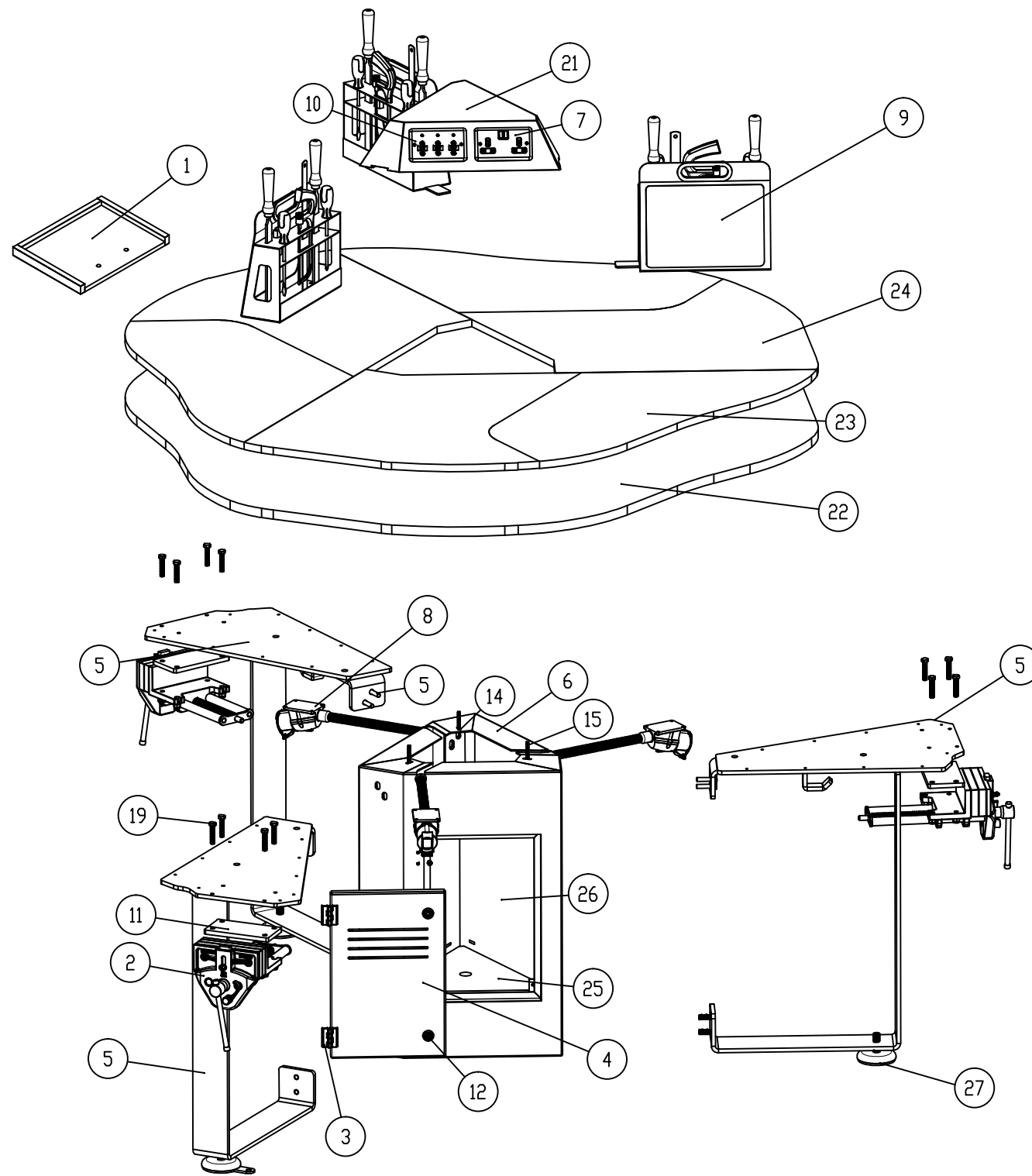


POST PRIMARY SCHOOL FIXED FURNITURE DETAIL					
3 STUDENT TECHNOLOGY WORKSTATION					
DRG NO: 3S-TECH-WS/01	SHEET TITLE: WORKSTATION - ASSEMBLED	SHEET NO: 1 OF 20	ISSUE NO: ISSUE 01	SCALE: A3 @ 1:15	DATE: MARCH 2017

AN ROINN OIDEACHAIS AGUS SCILEANNA
THE DEPARTMENT OF EDUCATION AND SKILLS

PLANNING AND BUILDING UNIT





3 STUDENT TECHNOLOGY WORKSTATION - ASSEMBLY ITEMS

ITEM No.	ITEM	MATERIAL	COLOUR	QTY
1	Mechanic Vice Tray	Birch Ply & Beech		3
2	7" Woodworking Vice	See Specification		3
3	50x50x11mm Stud Mounted Leaf Hinge	See Specification		2
4	Door	3mm M/S Plate	RAL 7035	1
5	Main Upright Support	8 & 10mm M/S Plate	RAL 7035	3
6	Central Core - Weld Assembly	M/S Plate	RAL 7035	1
7	MK Metalclad Plus Twin Switched Socket with 2 gang Drylining box.	See Specification		3
8	Yellow Commando 110 Volt Socket	See Specification		3
9	Toolbox - Assembly	M/S Plate	RAL 7035	3
10	MK Metalclad Plus Twin Socket Blank Plate with Pilot Lights with 2 gang Drylining box.	See Specification		3
11	Woodworking Vice Spacer	11mm CDF		3
12	Quater Turn Spring Latch Lock with Triangular Key	See Specification		2
13	Prevailing torque nut style 1 insert			8
14	Plain washer grade A			11
15	Hex screw grade AB			3
16	Plain washer grade A			12
17	Plain washer grade A			4
18	Prevailing torque nut style 1 insert			4
19	Hex screw grade AB			12
20	Prevailing torque nut style 1 insert			12
21	Central Core Top - Assembly	M/S Plate	RAL 7035	1
22	Counter Top - Base Support	25mm Moisture Resistant (MR) MDF	Grey primer with RAL 9005 Black AC2 paint finish	1
23	Counter Top - Piece 001	19.4mm CDF	RAL 7046	3
24	Counter Top - Piece 002	19.4mm CDF	RAL 7035	3
25	Central Core - Electrical Base	18mm (MR) MDF		1
26	Central Core - Electrical Backing Board	18mm (MR) MDF		2
27	S/S Leveling feet with fixing lug & rubber underlay	See Specification		3

POST PRIMARY SCHOOL FIXED FURNITURE DETAIL

3 STUDENT TECHNOLOGY WORKSTATION

DRG NO:
3S-TECH-WS/02

SHEET TITLE:
WORKSTATION - ASSEMBLY

SHEET NO:
2 OF 20

ISSUE NO:
ISSUE 01

SCALE:
1:15

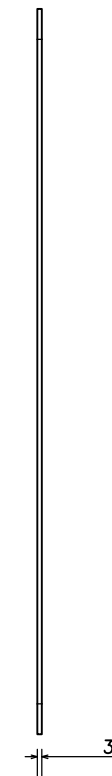
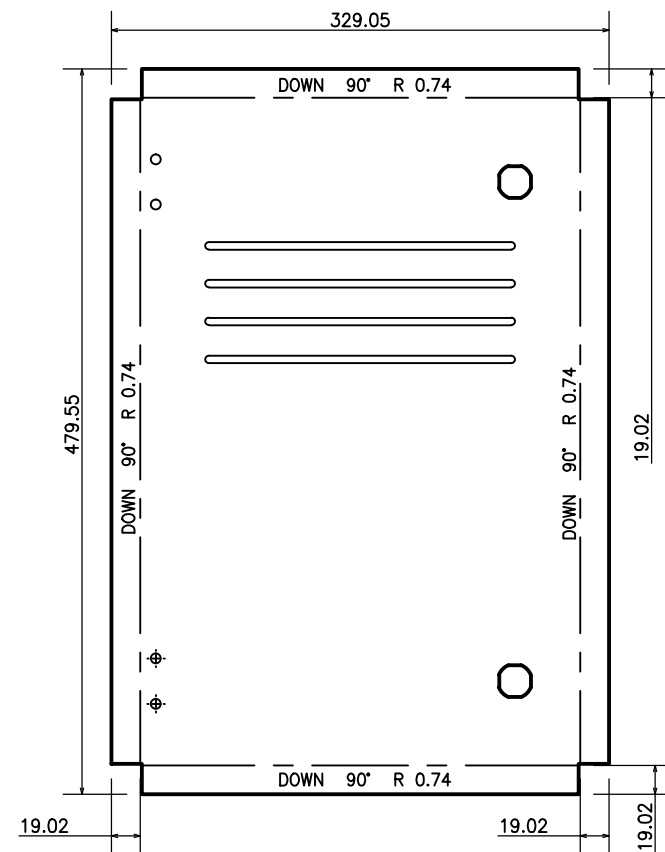
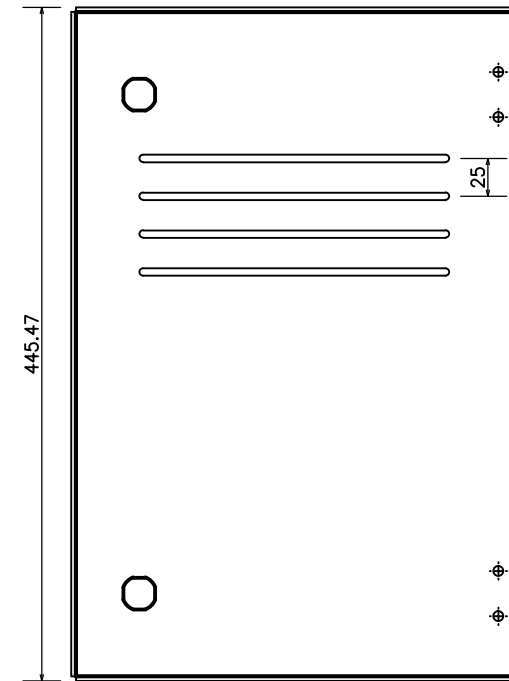
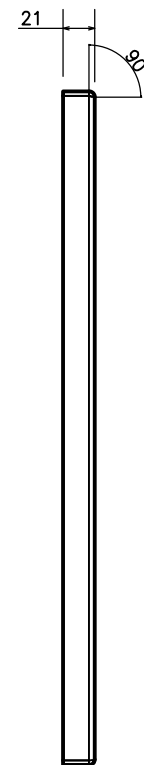
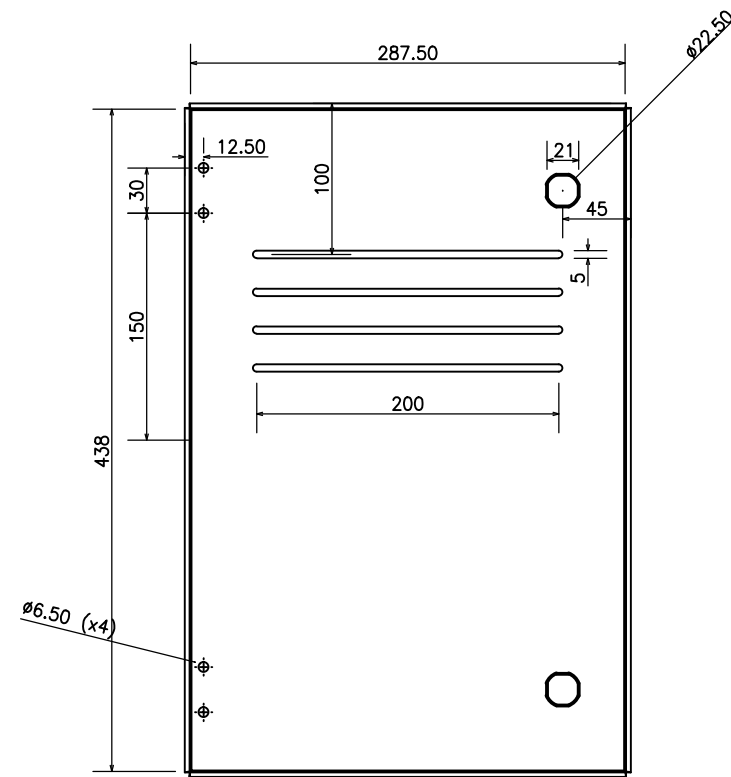
DATE:
MARCH 2017

AN ROINN OIDEACHAIS AGUS SCILEANNA
THE DEPARTMENT OF EDUCATION AND SKILLS

PLANNING AND BUILDING UNIT



ITEM 4: Door
 Material: 3mm M/S Plate

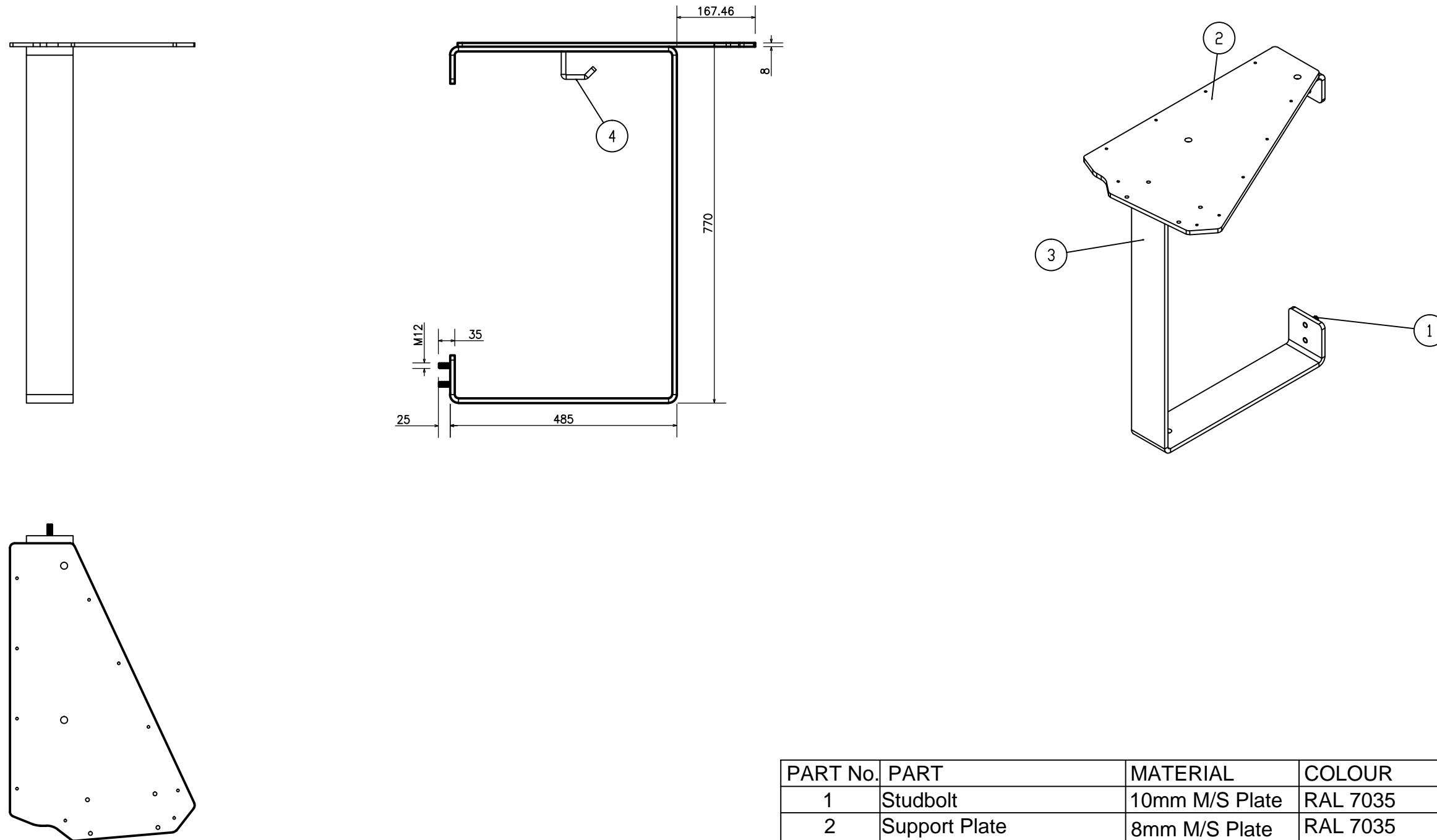


POST PRIMARY SCHOOL FIXED FURNITURE DETAIL					
3 STUDENT TECHNOLOGY WORKSTATION					
DRG NO: 3S-TECH-WS/03	SHEET TITLE: WORKSTATION - DOOR	SHEET NO: 3 OF 20	ISSUE NO: ISSUE 01	SCALE: 1:5	DATE: MARCH 2017

AN ROINN OIDEACHAIS AGUS SCILEANNA
 THE DEPARTMENT OF EDUCATION AND SKILLS
 PLANNING AND BUILDING UNIT

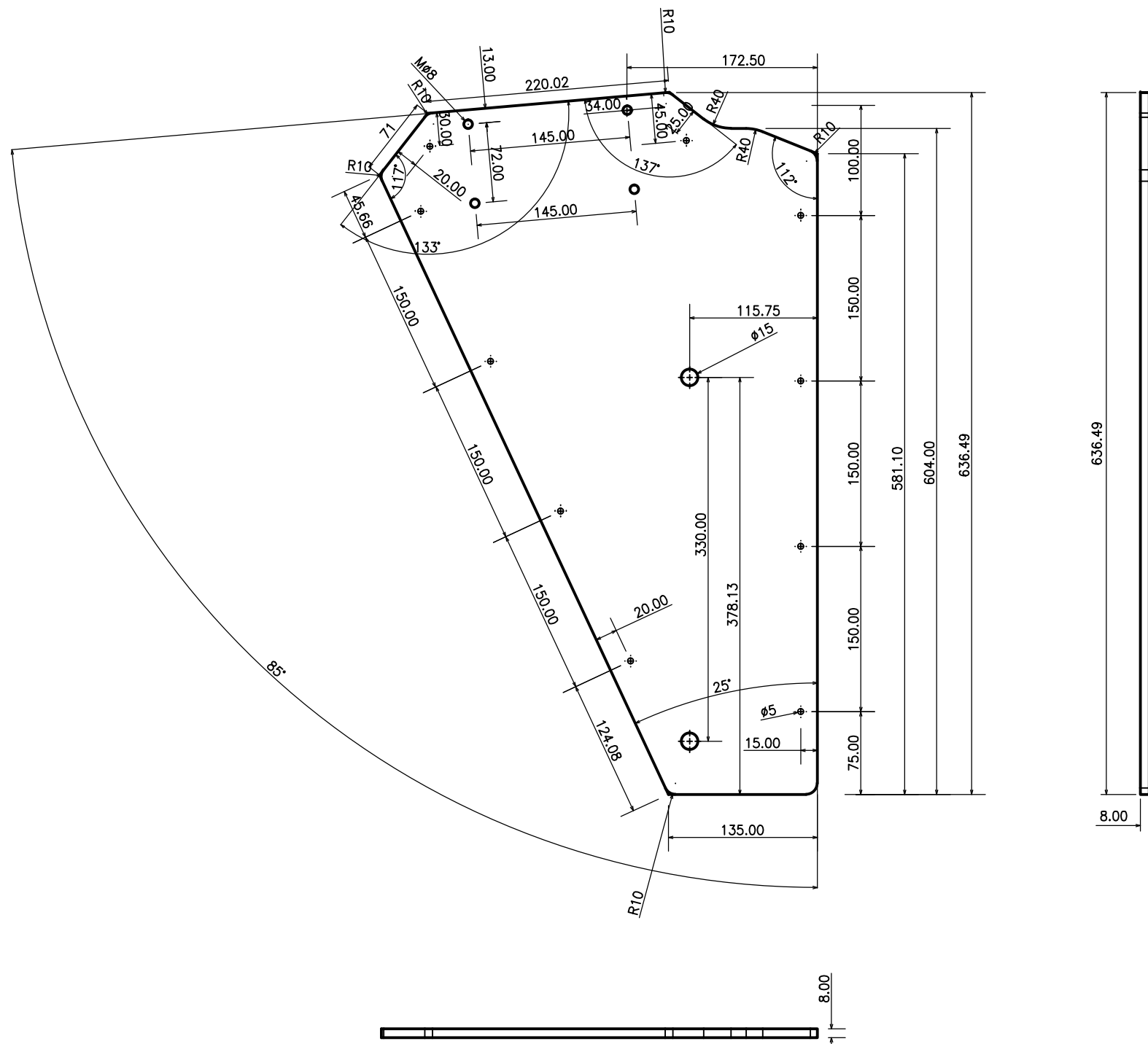


ITEM 5: Main Upright Support Assembly
Material: 10mm M/S Plate

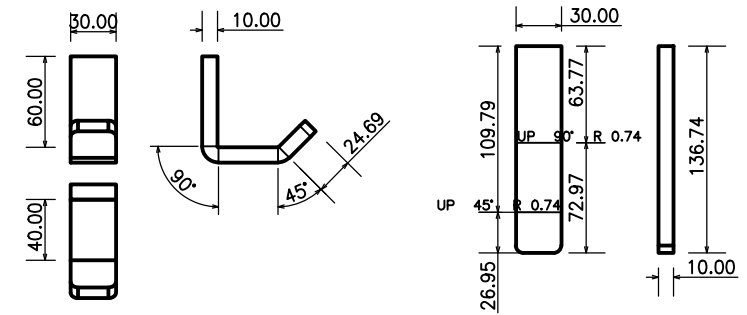


PART No.	PART	MATERIAL	COLOUR	QTY.
1	Studbolt	10mm M/S Plate	RAL 7035	2
2	Support Plate	8mm M/S Plate	RAL 7035	1
3	Main Upright Support Leg	10mm M/S Plate	RAL 7035	1
4	Bag Hook	10mm M/S Plate	RAL 7035	1

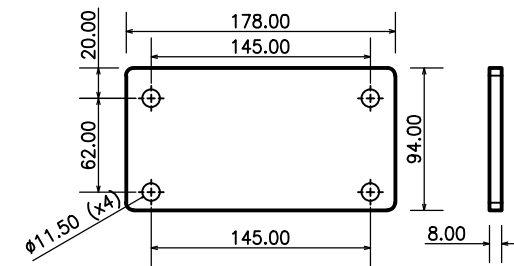
ITEM 5: Main Upright Support
 Part No 2: Support Plate
 Material: 8mm M/S Plate



ITEM 5: Main Upright Support
 Part No 4: Bag Hook
 Material: 10mm M/S Plate



ITEM 11: Woodworking Vice Spacer
 Material: 8mm M/S Plate



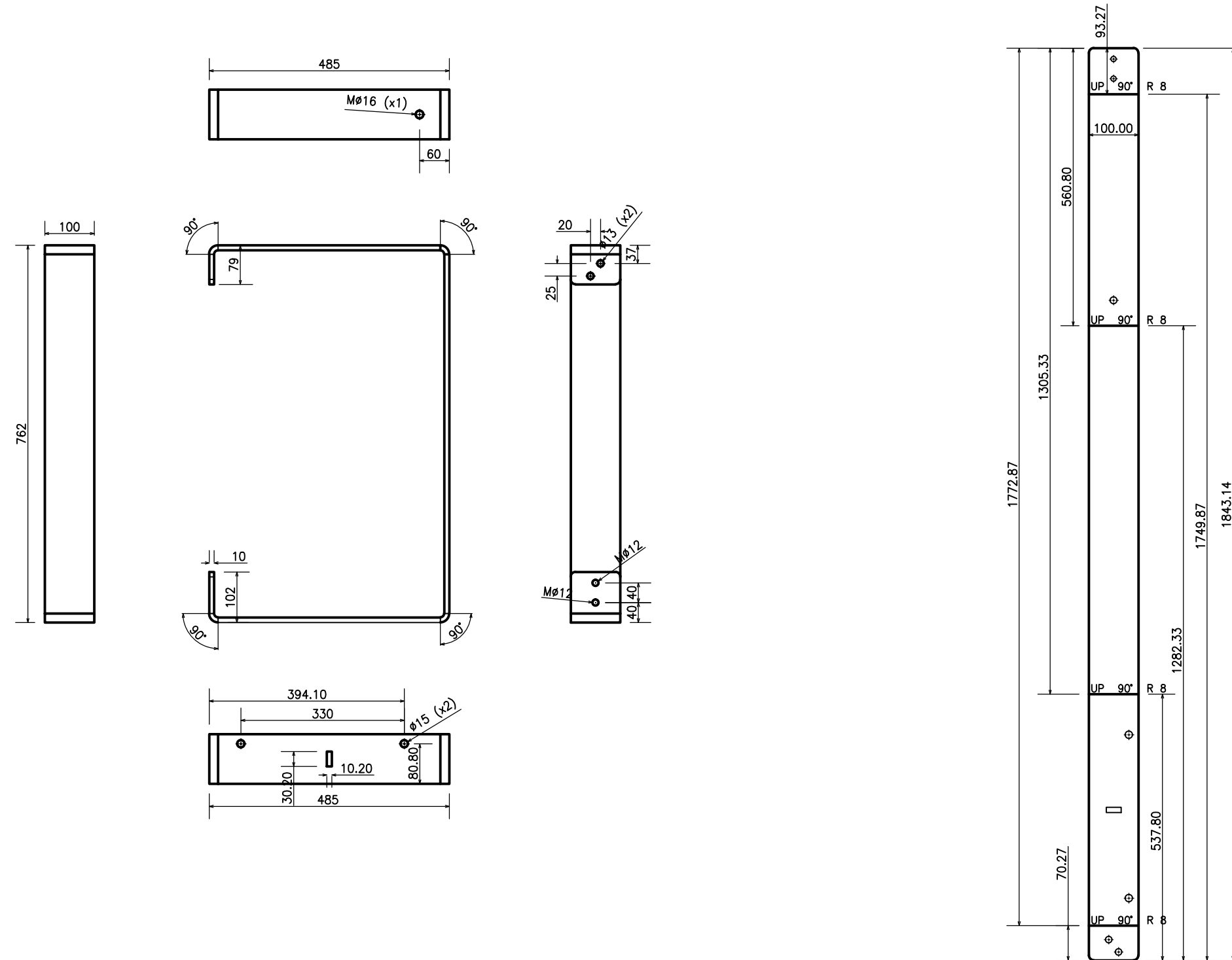
POST PRIMARY SCHOOL FIXED FURNITURE DETAIL					
3 STUDENT TECHNOLOGY WORKSTATION					
DRG NO: 3S-TECH-WS/05	SHEET TITLE: WORKSTATION - MAIN UPRIGHT SUPPORT PARTS 2 & 4 & ITEM No 11	SHEET NO: 5 OF 20	ISSUE NO: ISSUE 01	SCALE: 1:5	DATE: MARCH 2017

AN ROINN OIDEACHAIS AGUS SCILEANNA
 THE DEPARTMENT OF EDUCATION AND SKILLS

PLANNING AND BUILDING UNIT



ITEM 5: Main Upright Support
 Part No 3: Main Upright Support Leg
 Material: 10mm M/S Plate

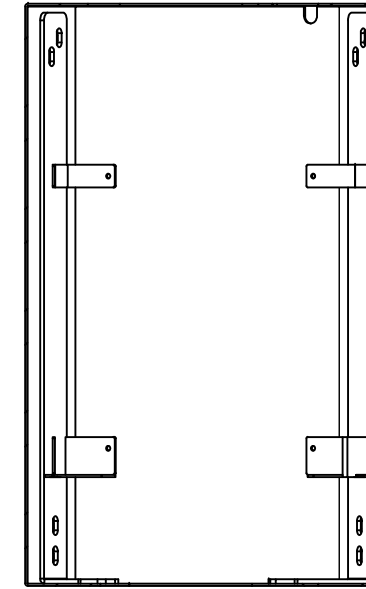
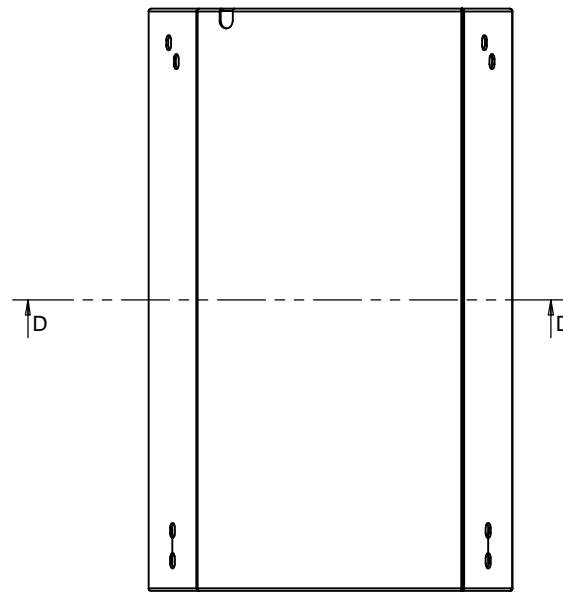
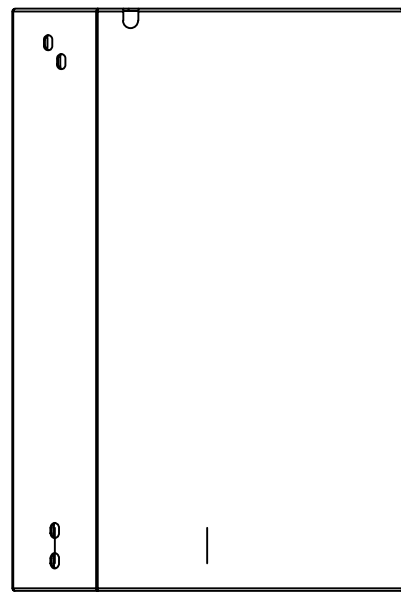
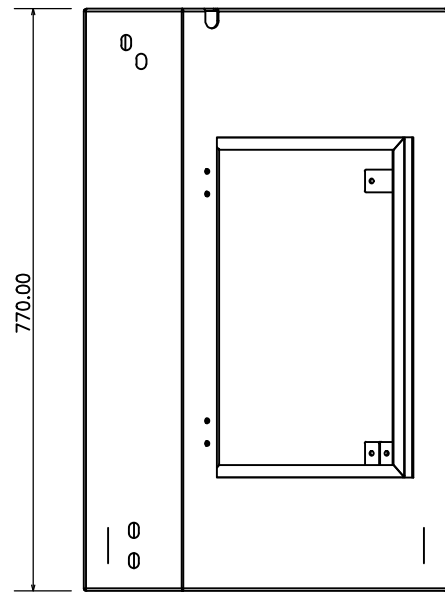


POST PRIMARY SCHOOL FIXED FURNITURE DETAIL					
3 STUDENT TECHNOLOGY WORKSTATION					
DRG NO: 3S-TECH-WS/06	SHEET TITLE: WORKSTATION - MAIN UPRIGHT SUPPORT - PART No 3	SHEET NO: 6 OF 20	ISSUE NO: ISSUE 01	SCALE: 1:10.	DATE: MARCH 2017

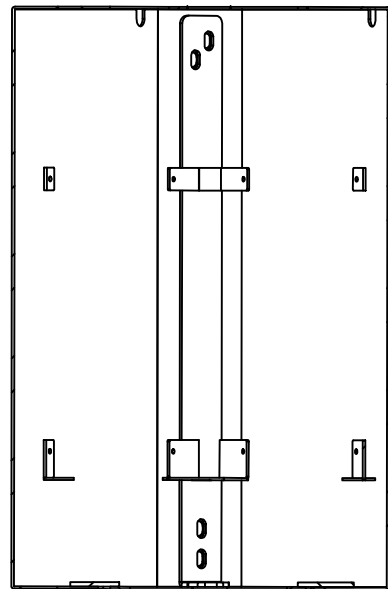
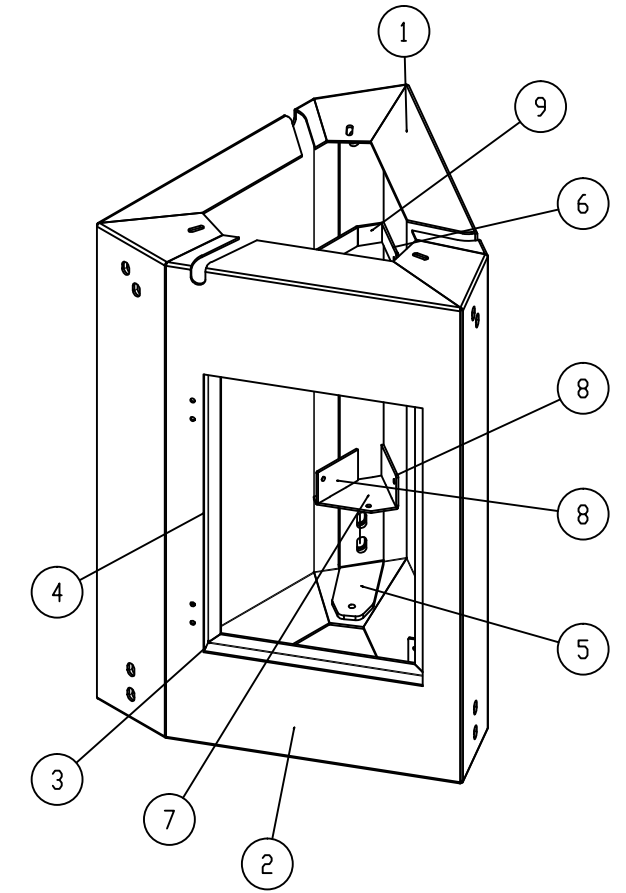
AN ROINN OIDEACHAIS AGUS SCILEANNA
 THE DEPARTMENT OF EDUCATION AND SKILLS
 PLANNING AND BUILDING UNIT



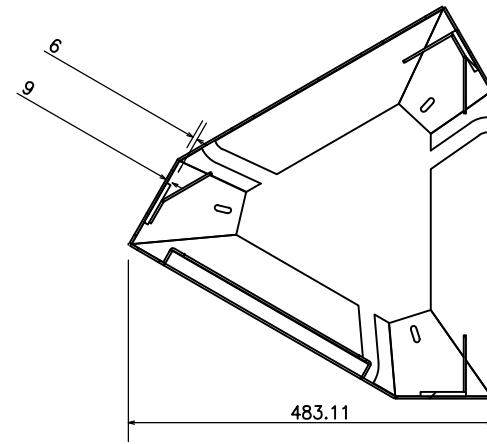
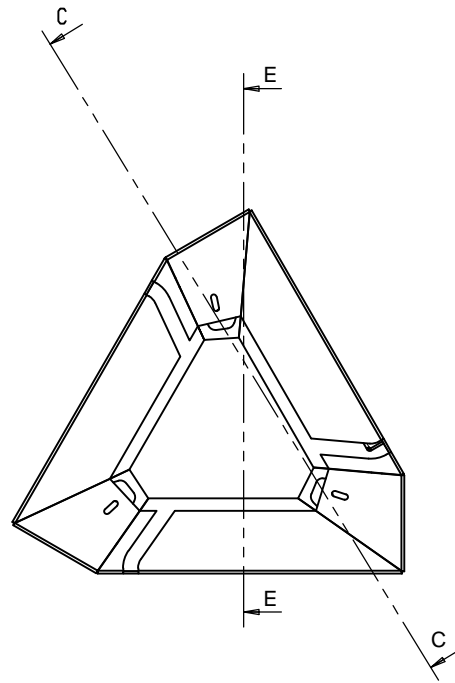
ITEM 6: Central Core - Weld Assembly
Material: M/S Plate



SECTION E-E



SECTION C-C



SECTION D-D

PART No	PART	MATERIAL	COLOUR	QTY.
1	Central Core - 001	3mm M/S Plate	RAL 7035	2
2	Central Core - 002	3mm M/S Plate	RAL 7035	1
3	Central Core - 003	3mm M/S Plate	RAL 7035	2
4	Central Core - 004	3mm M/S Plate	RAL 7035	2
5	Central Core - 005	6mm M/S Plate	RAL 7035	3
6	Central Core - 006	3mm M/S Plate	RAL 7035	2
7	Central Core - 007	3mm M/S Plate	RAL 7035	3
8	Central Core - 008	3mm M/S Plate	RAL 7035	6
9	Central Core - 009	3mm M/S Plate	RAL 7035	2

POST PRIMARY SCHOOL FIXED FURNITURE DETAIL

3 STUDENT TECHNOLOGY WORKSTATION

DRG NO:
3S-TECH-WS/07

SHEET TITLE:
WORKSTATION - CENTRAL CORE - WELD ASSEMBLY

SHEET NO:
7 OF 20

ISSUE NO:
ISSUE 01

SCALE:
1:10

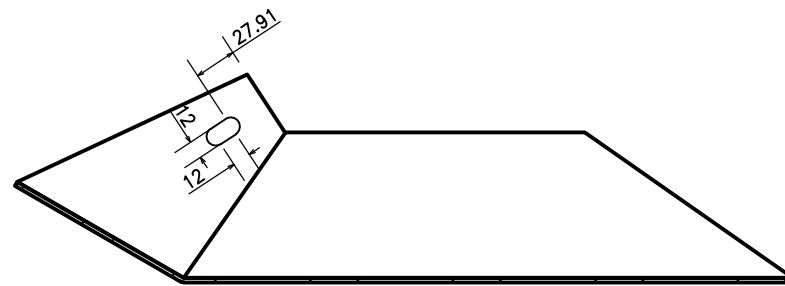
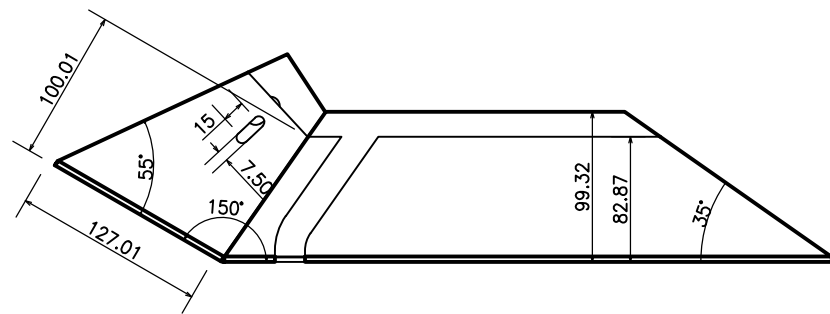
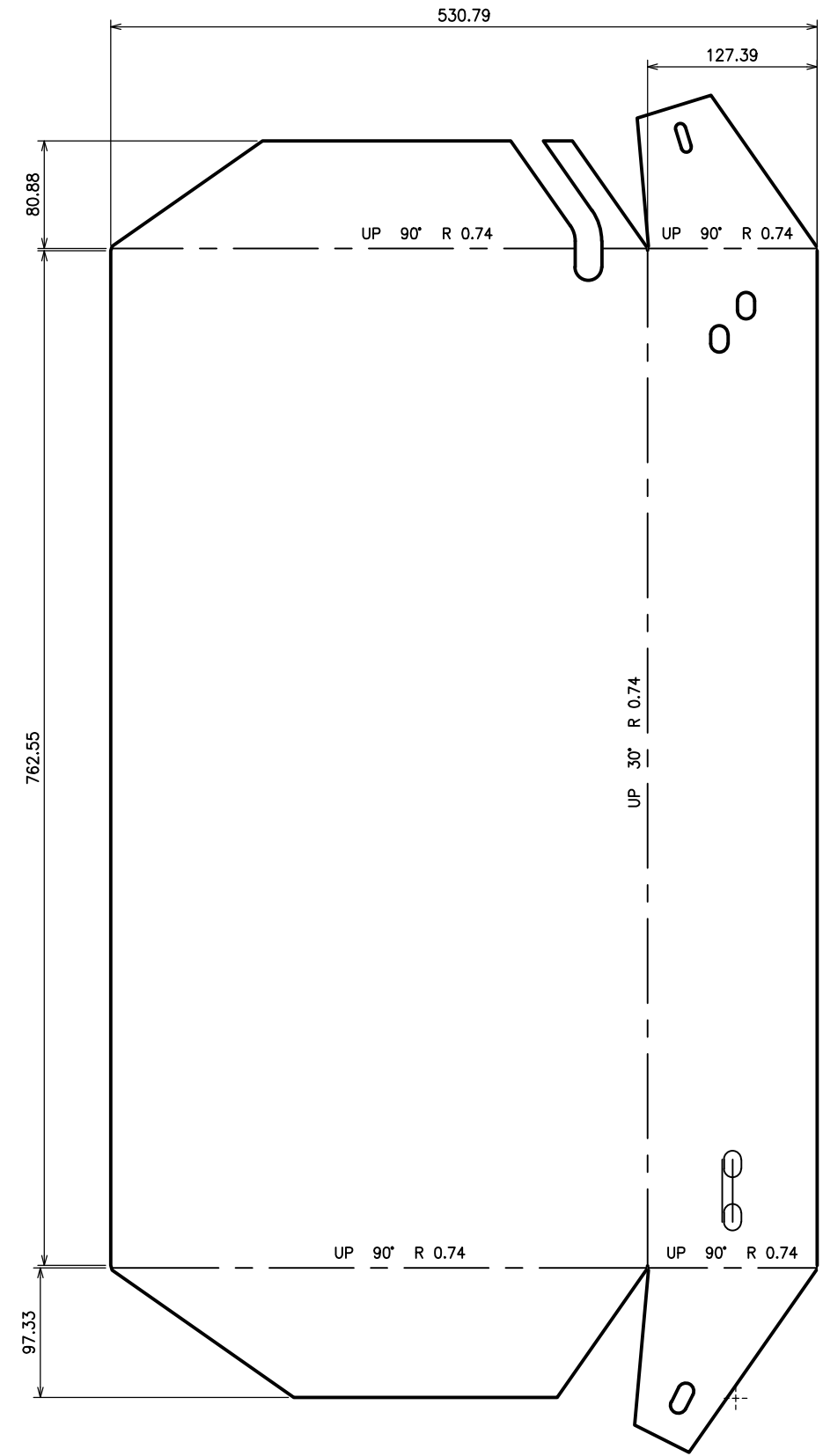
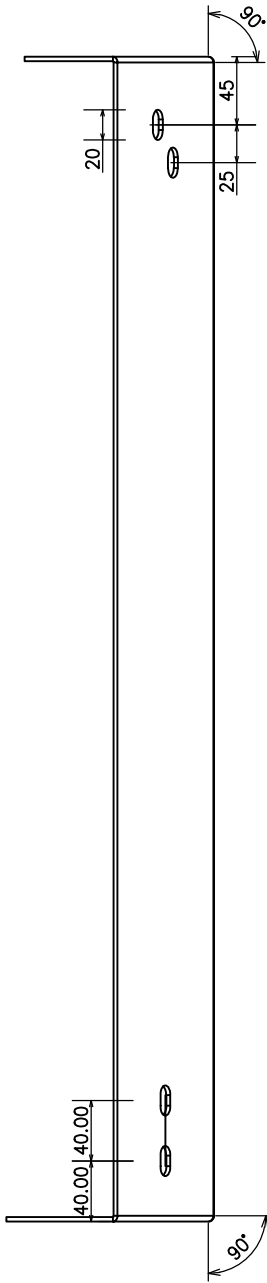
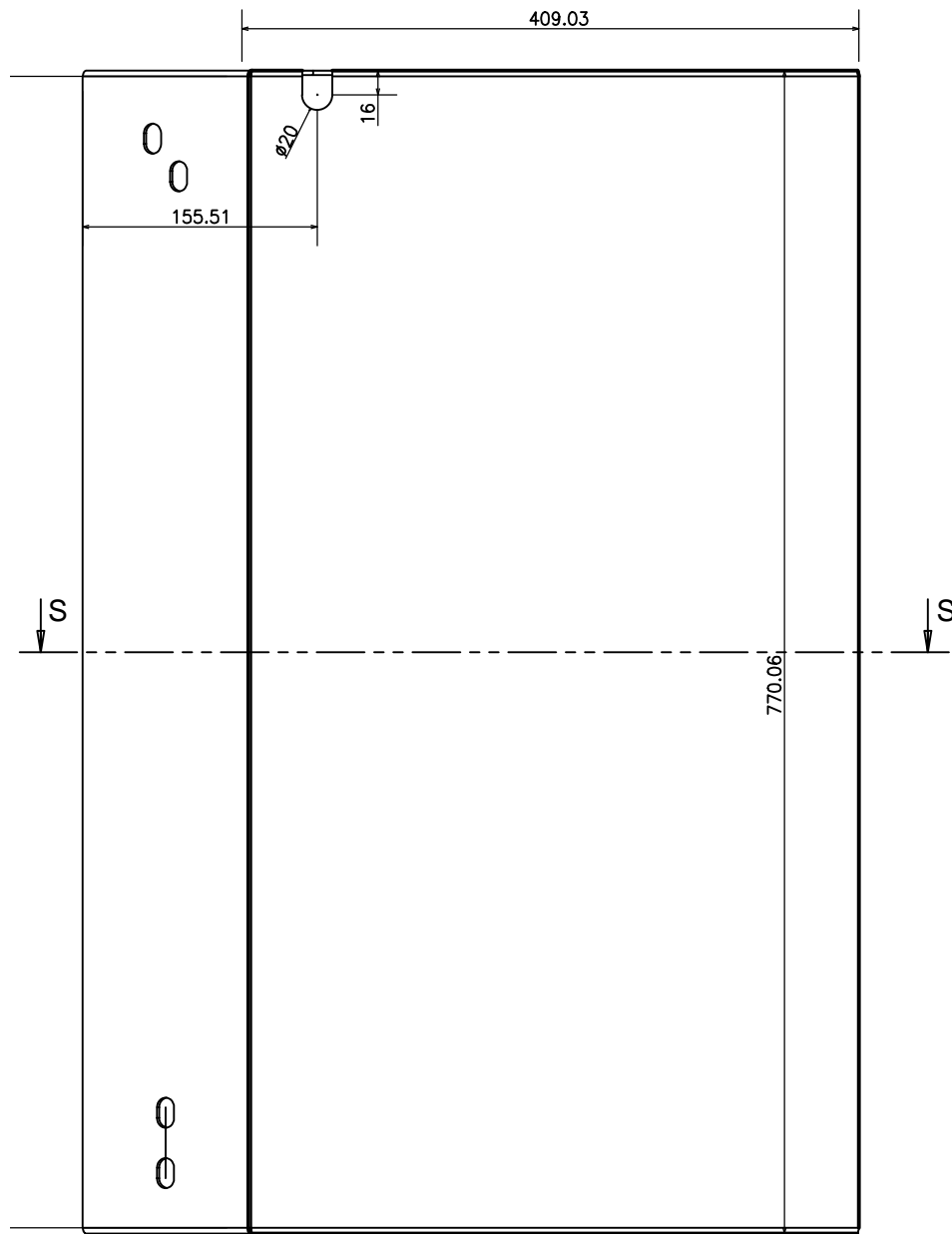
DATE:
MARCH 2017

AN ROINN OIDEACHAIS AGUS SCILEANNA
THE DEPARTMENT OF EDUCATION AND SKILLS

PLANNING AND BUILDING UNIT



ITEM 6: Central Core
 Part No 1: Central Core 001
 Material: 3mm M/S Plate



SECTION S-S

POST PRIMARY SCHOOL FIXED FURNITURE DETAIL					
3 STUDENT TECHNOLOGY WORKSTATION					
DRG NO: 3S-TECH-WS/08	SHEET TITLE: WORKSTATION - CENTRAL CORE - PART No 001	SHEET NO: 8 OF 20	ISSUE NO: ISSUE 01	SCALE: 1:5	DATE: MARCH 2017

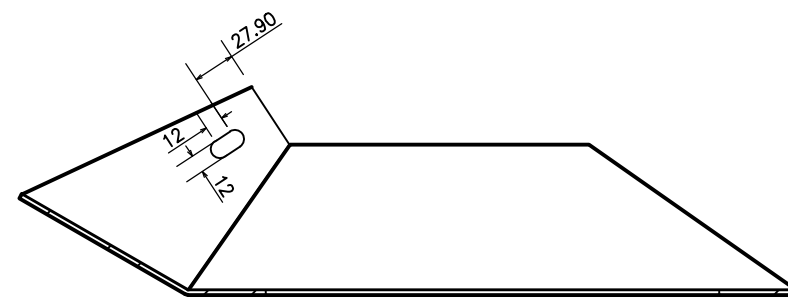
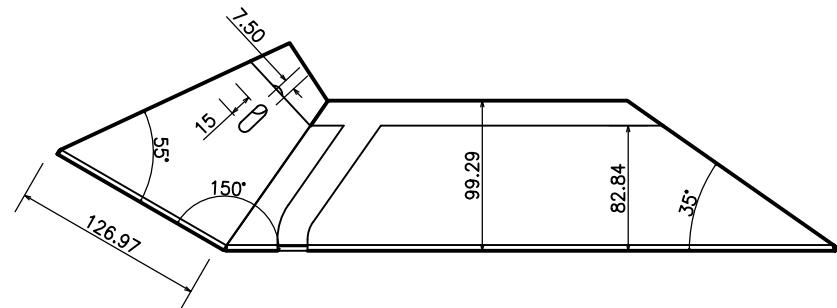
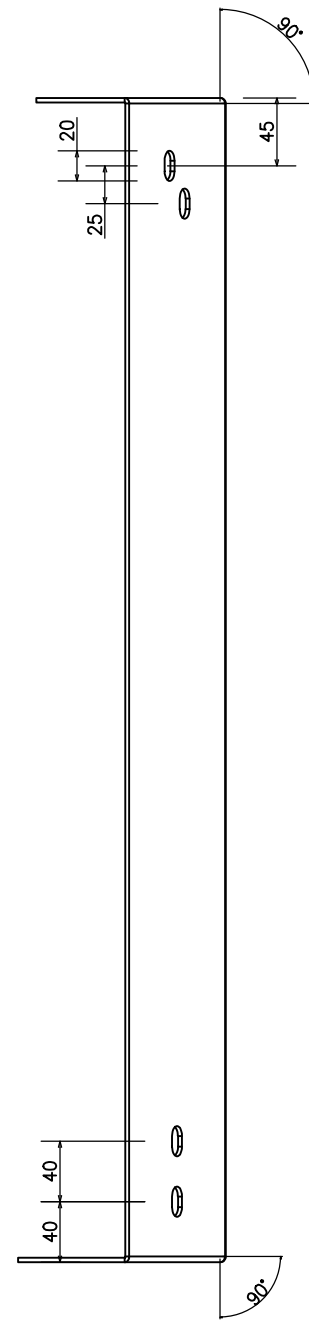
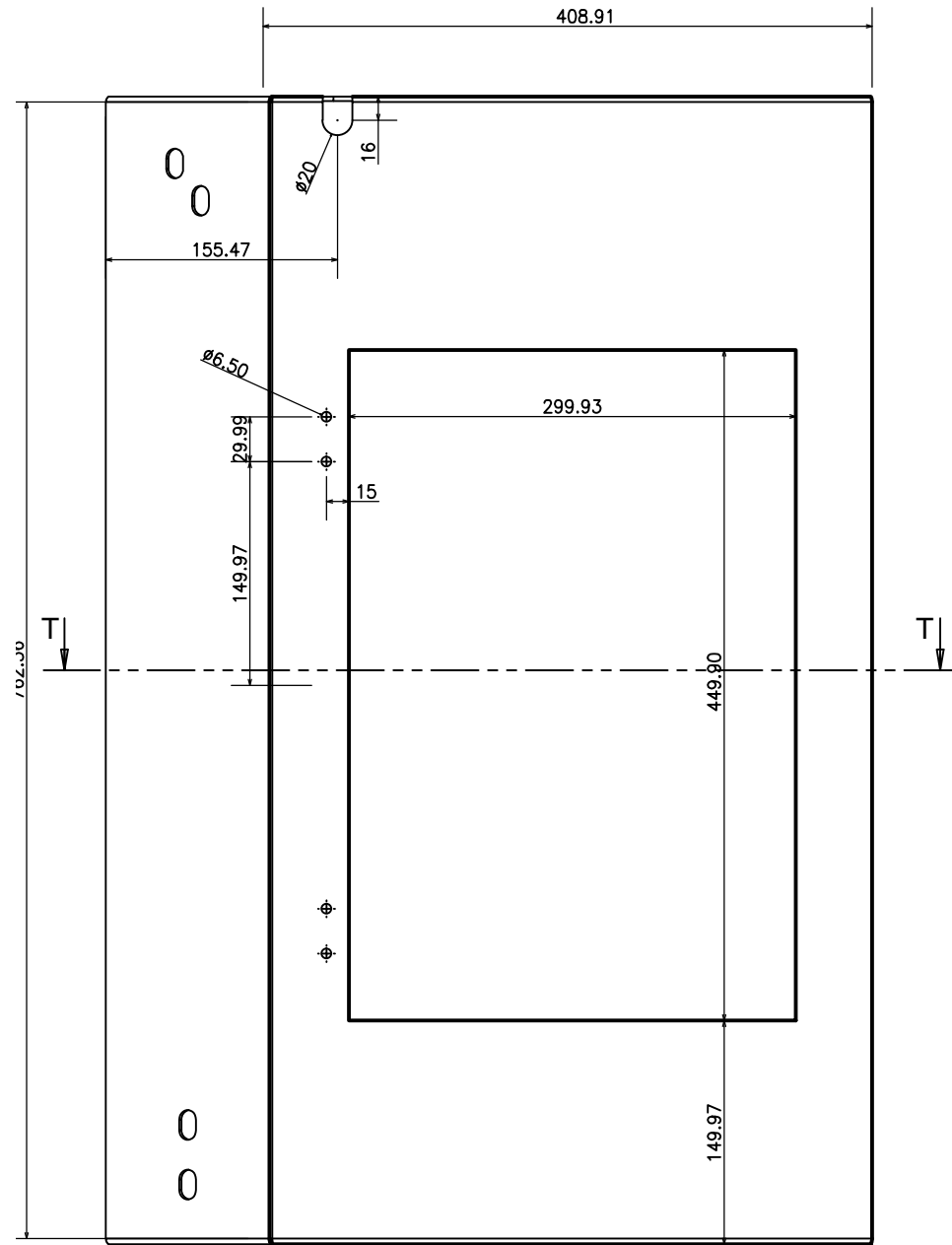
AN ROINN OIDEACHAIS AGUS SCILEANNA
 THE DEPARTMENT OF EDUCATION AND SKILLS

PLANNING AND BUILDING UNIT

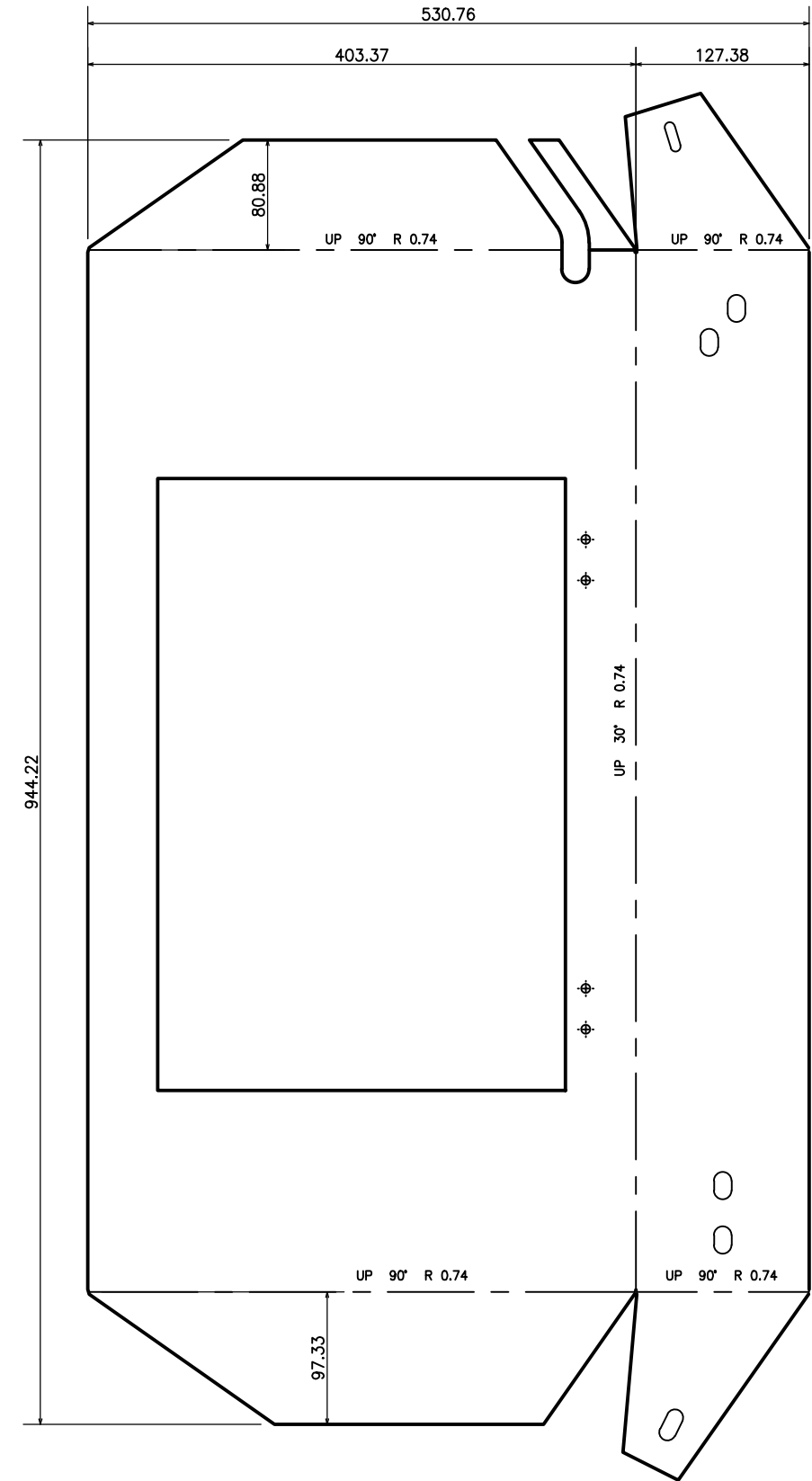


3.00

ITEM 6: Central Core
 Part No 2: Central Core 002
 Material: 3mm M/S Plate



SECTION T-T



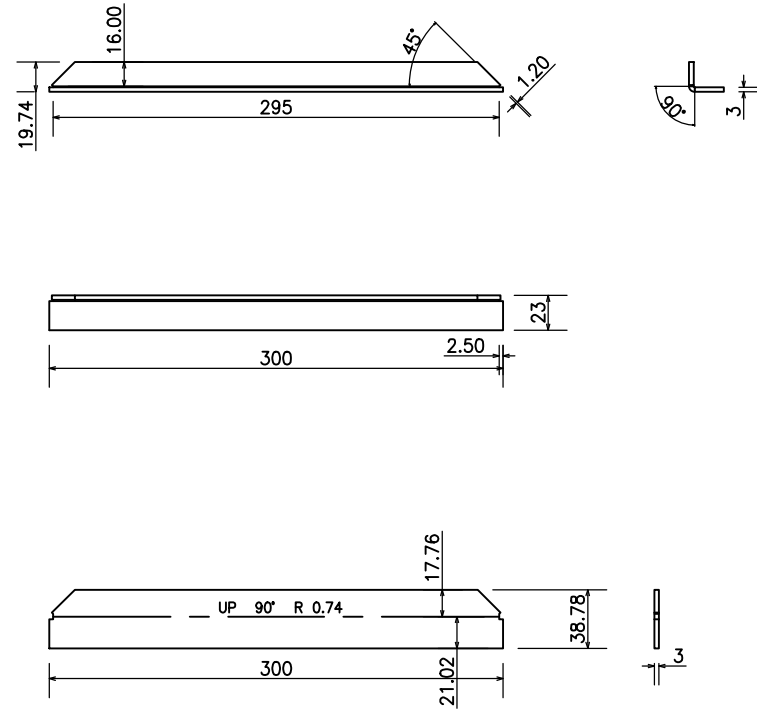
POST PRIMARY SCHOOL FIXED FURNITURE DETAIL					
3 STUDENT TECHNOLOGY WORKSTATION					
DRG NO: 3S-TECH-WS/09	SHEET TITLE: WORKSTATION - CENTRAL CORE - PART No 002	SHEET NO: 9 OF 20	ISSUE NO: ISSUE 01	SCALE: 1:5	DATE: MARCH 2017

AN ROINN OIDEACHAIS AGUS SCILEANNA
 THE DEPARTMENT OF EDUCATION AND SKILLS

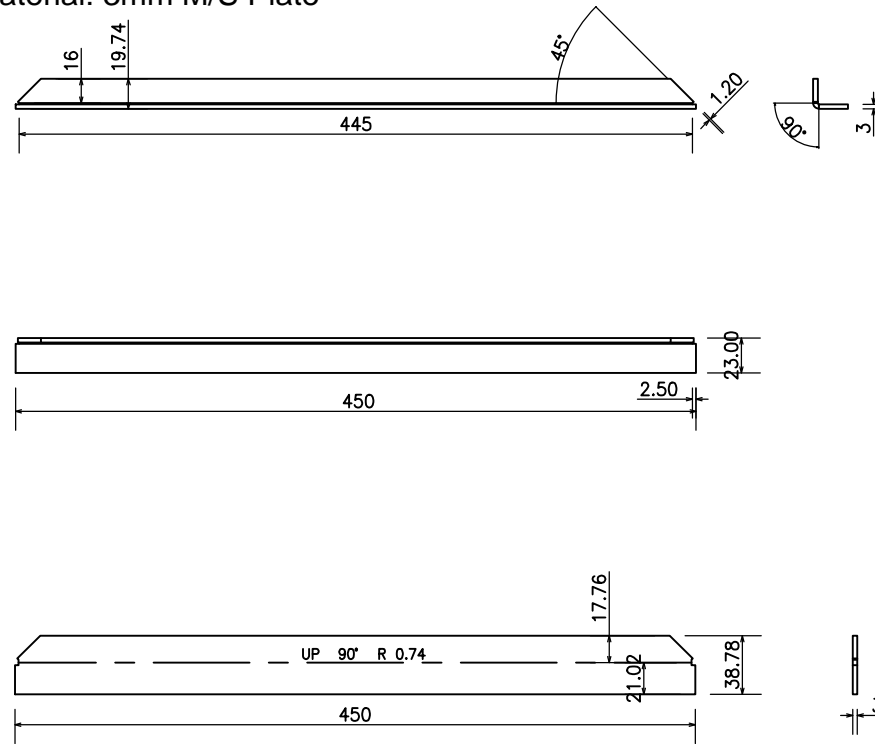
PLANNING AND BUILDING UNIT



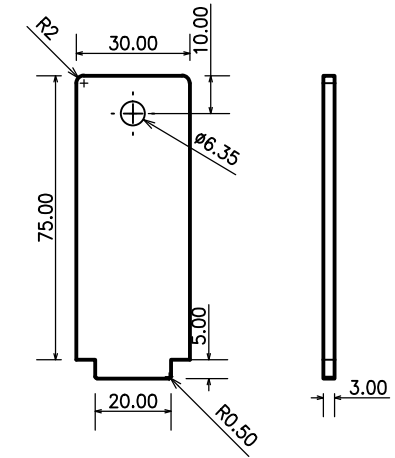
ITEM 6: Central Core
 Part No 3: Central Core 003
 Material: 3mm M/S Plate



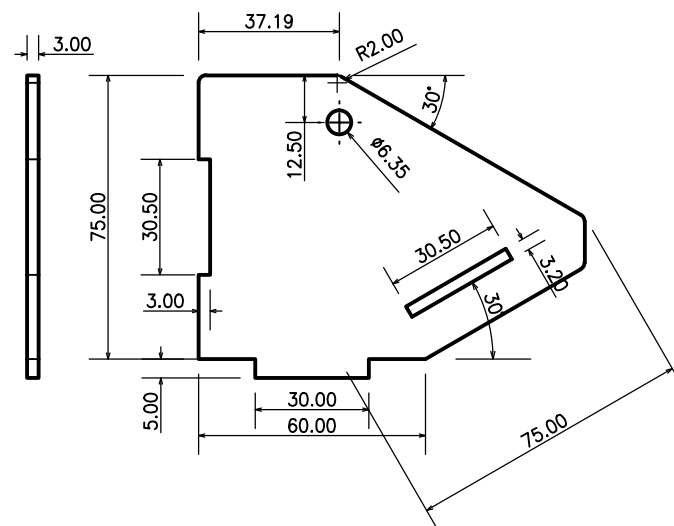
ITEM 6: Central Core
 Part No 4: Central Core 004
 Material: 3mm M/S Plate



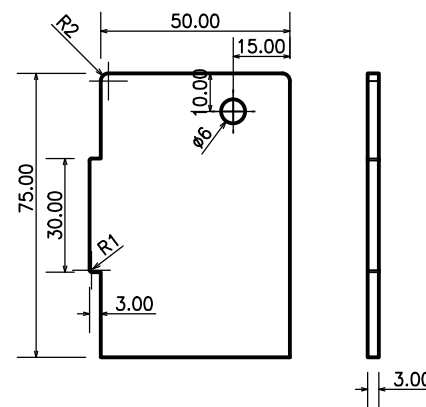
ITEM 6: Central Core
 Part No 6: Central Core 006
 Material: 3mm M/S Plate



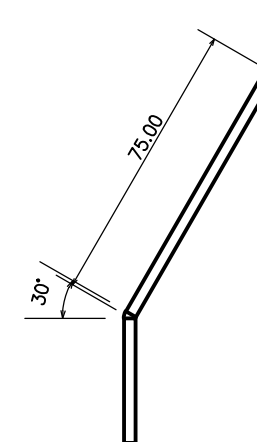
ITEM 6: Central Core
 Part No 7: Central Core 007
 Material: 3mm M/S Plate



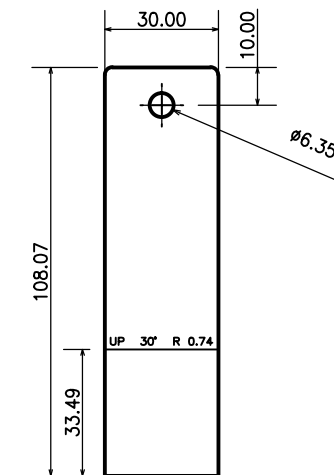
ITEM 6: Central Core
 Part No 8: Central Core 008
 Material: 3mm M/S Plate



ITEM 6: Central Core
 Part No 9: Central Core 009
 Material: 3mm M/S Plate



ITEM 6: Central Core
 Part No 9: Central Core 009
 Material: 3mm M/S Plate



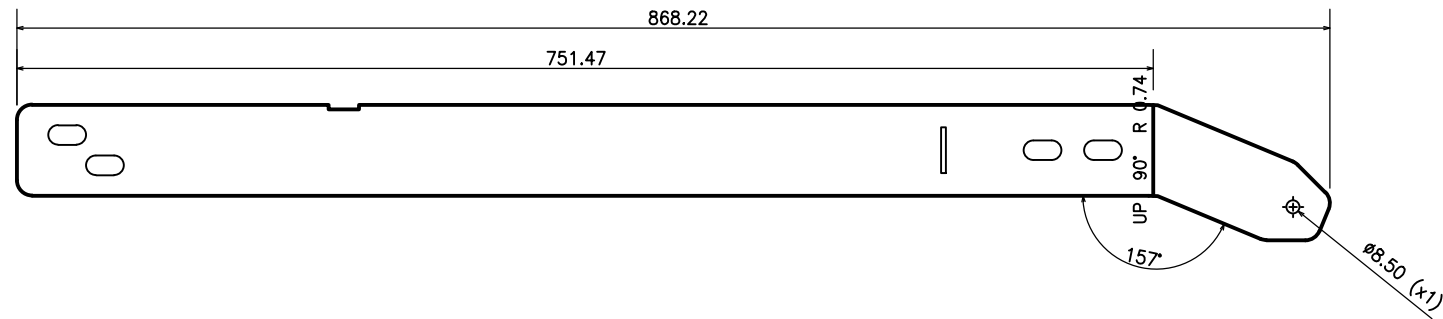
POST PRIMARY SCHOOL FIXED FURNITURE DETAIL					
3 STUDENT TECHNOLOGY WORKSTATION					
DRG NO: 3S-TECH-WS/10	SHEET TITLE: WORKSTATION - CENTRAL CORE - PARTS 003, 004, 006, 007, 008 & 009	SHEET NO: 10 OF 20	ISSUE NO: ISSUE 01	SCALE: 1:2 & 1:5.	DATE: MARCH 2017

AN ROINN OIDEACHAIS AGUS SCILEANNA
 THE DEPARTMENT OF EDUCATION AND SKILLS

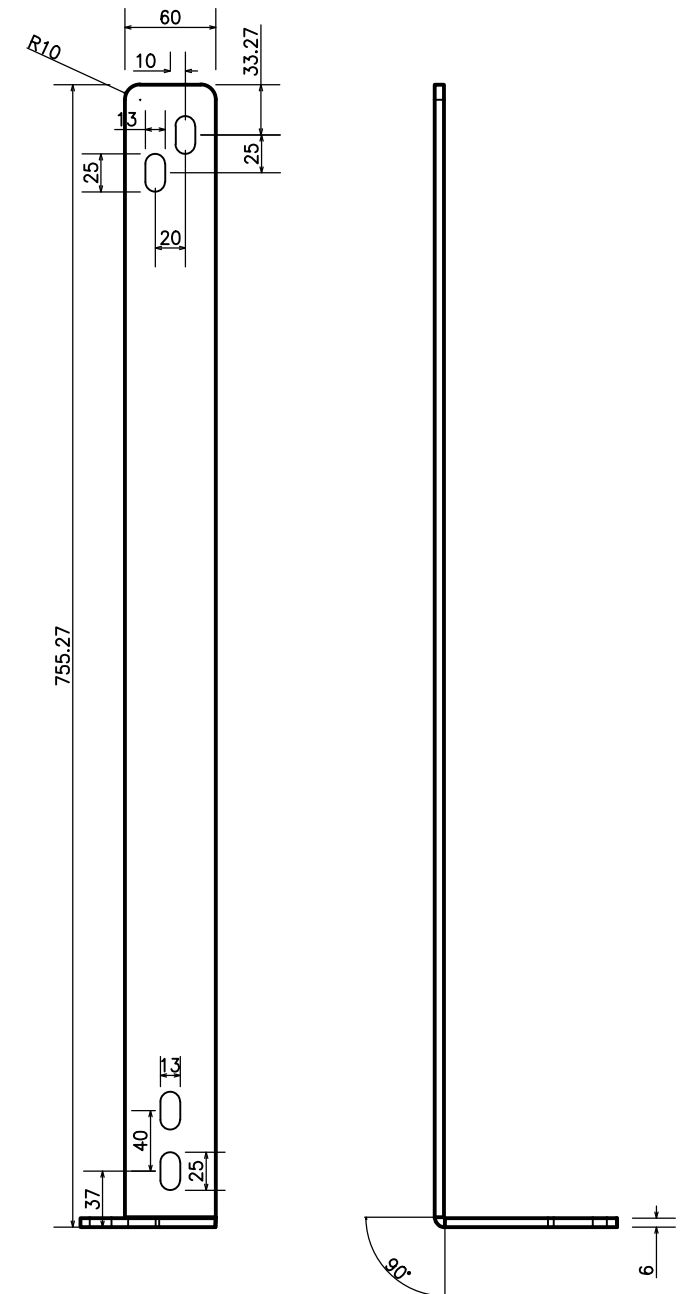
PLANNING AND BUILDING UNIT



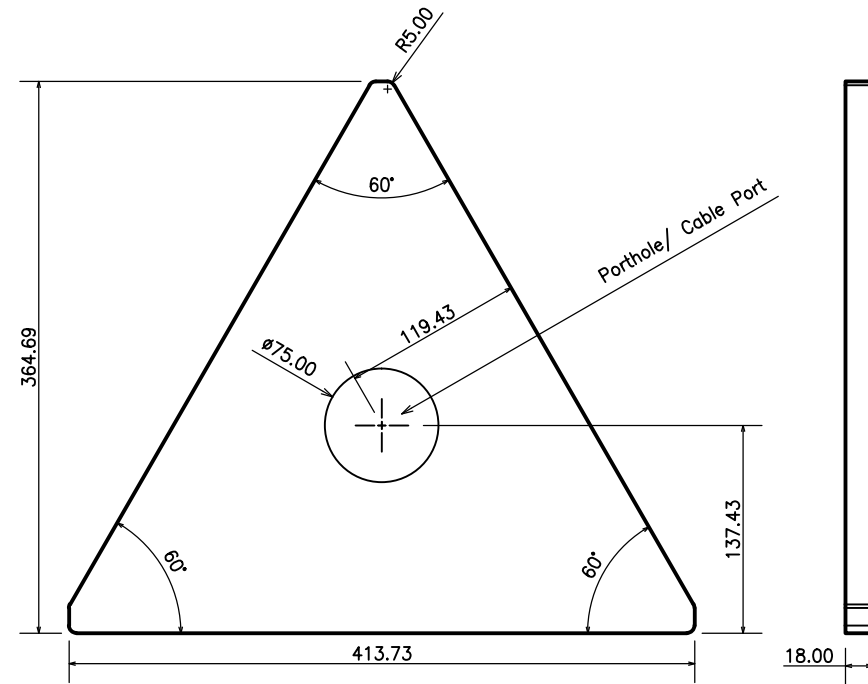
ITEM 6: Central Core
 Part No 5: Central Core 005
 Material: 3mm M/S Plate



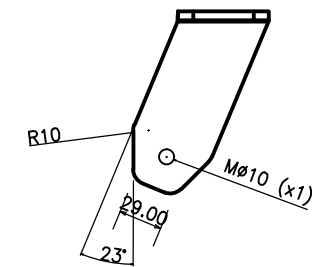
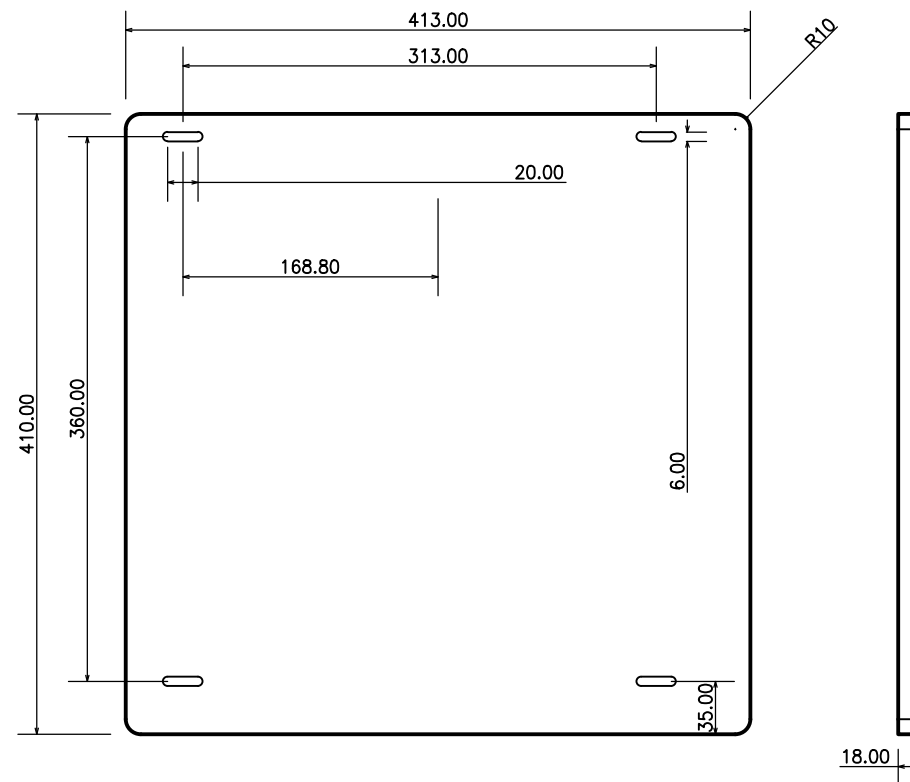
ITEM 6: Central Core
 Part No 5: Central Core 005
 Material: 3mm M/S Plate



ITEM 25: Central Core - Electrical Base
 Material: 18mm Moisture Resistant MDF



ITEM 26: Central Core - Backing Board
 Material: 18mm Moisture Resistant MDF



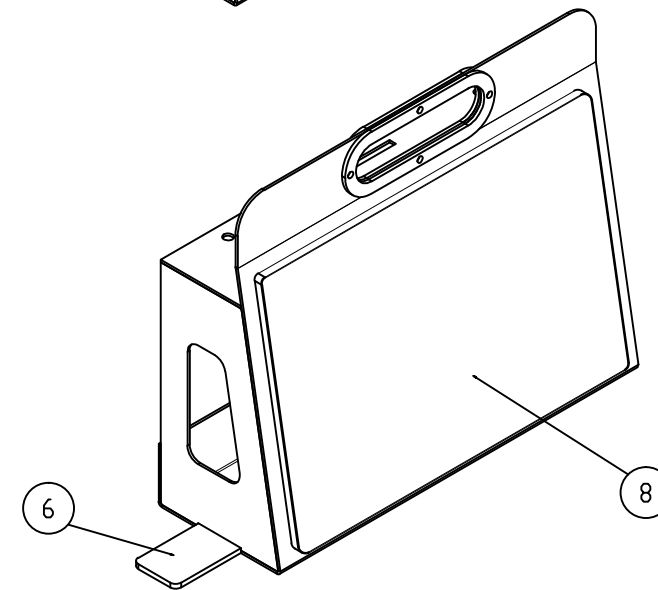
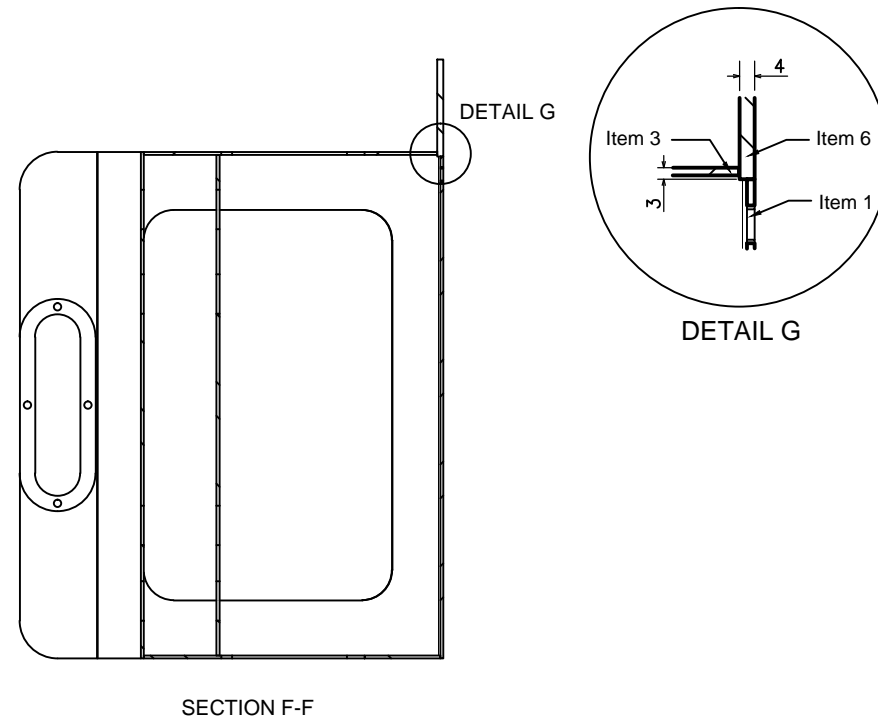
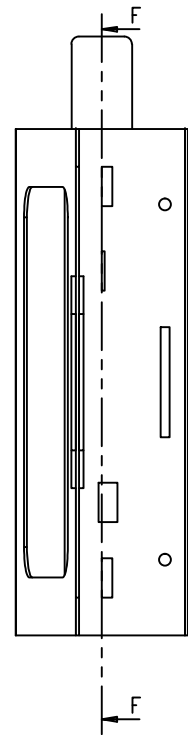
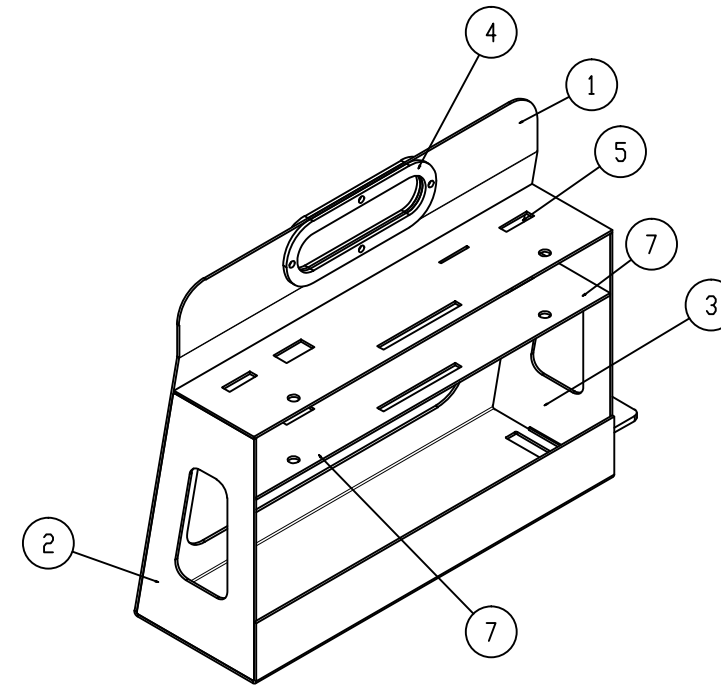
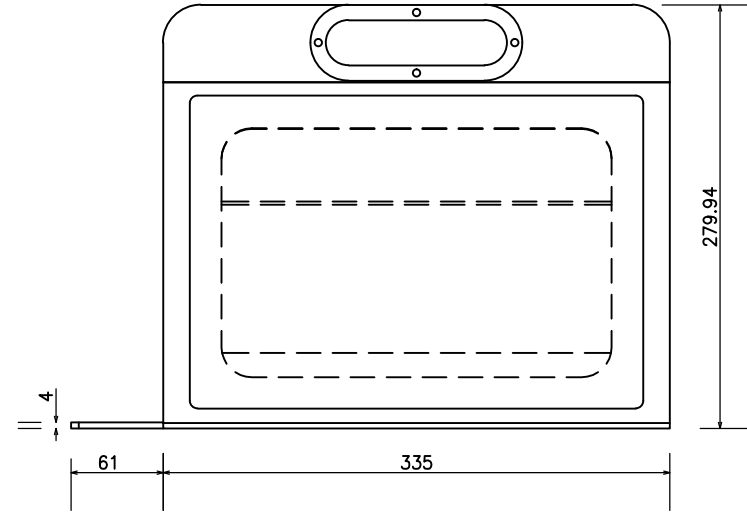
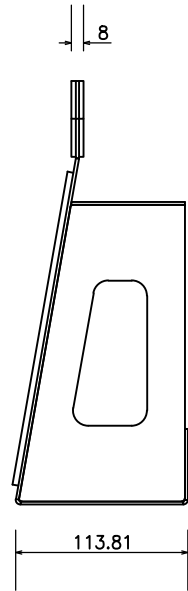
POST PRIMARY SCHOOL FIXED FURNITURE DETAIL					
3 STUDENT TECHNOLOGY WORKSTATION					
DRG NO: 3S-TECH-WS/11	SHEET TITLE: WORKSTATION - CENTRAL CORE - PART No 005 & ITEMS 25 & 26.	SHEET NO: 11 OF 20	ISSUE NO: ISSUE 01	SCALE: 1:5.	DATE: MARCH 2017

AN ROINN OIDEACHAIS AGUS SCILEANNA
 THE DEPARTMENT OF EDUCATION AND SKILLS

PLANNING AND BUILDING UNIT



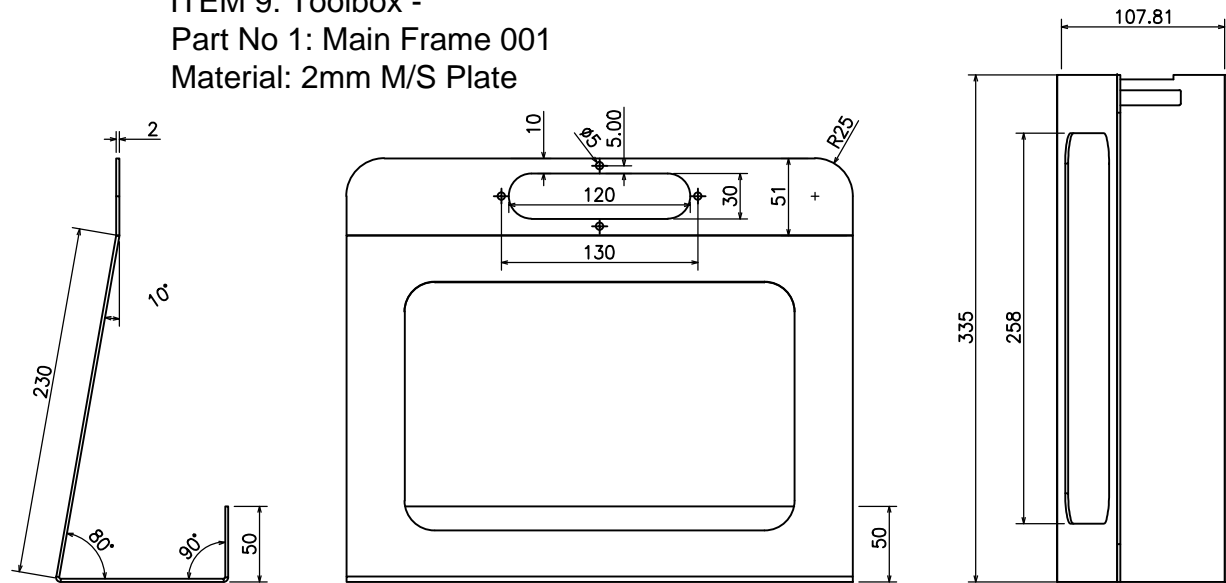
ITEM 9: Toolbox Assembly
Material: M/S Plate



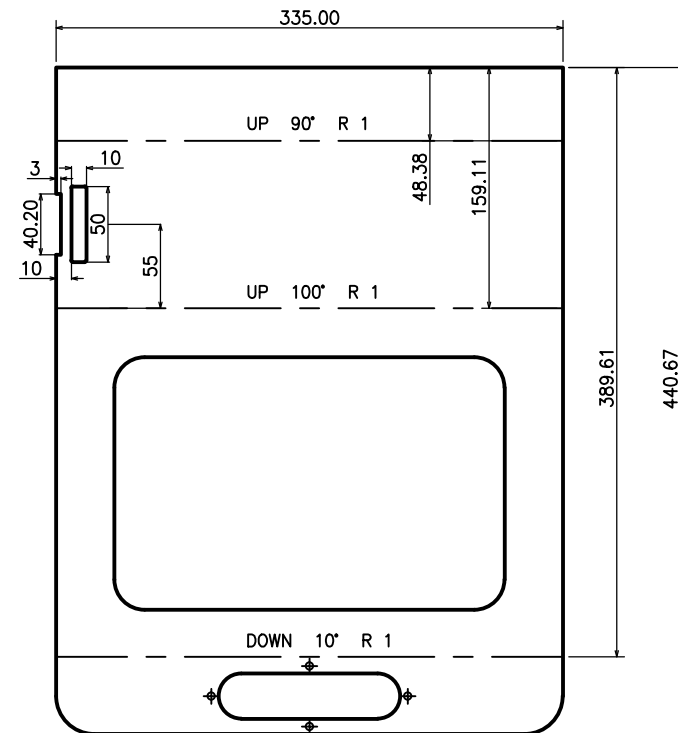
PART No	PART	MATERIAL	COLOUR	QTY.
1	Toolbox - Main Frame 001	2mm M/S Plate	RAL 7035	1
2	Toolbox - Main Frame Side 002	2mm M/S Plate	RAL 7035	1
3	Toolbox - Main Frame Side 003	2mm M/S Plate	RAL 7035	1
4	Toolbox - Handle 004	3mm M/S Plate	RAL 7035	2
5	Toolbox - Top Tool Receiver 005	2mm M/S Plate	RAL 7035	1
6	Toolbox - Connector 006	4mm M/S Plate	RAL 7035	1
7	Toolbox - Mid Tool Receiver 007	2mm M/S Plate	RAL 7035	1
8	300x210mm Magnetic White Board 008 - fixed to toolbox with 3M double sided tape.	4mm Magnetic White MDF Board	White	1



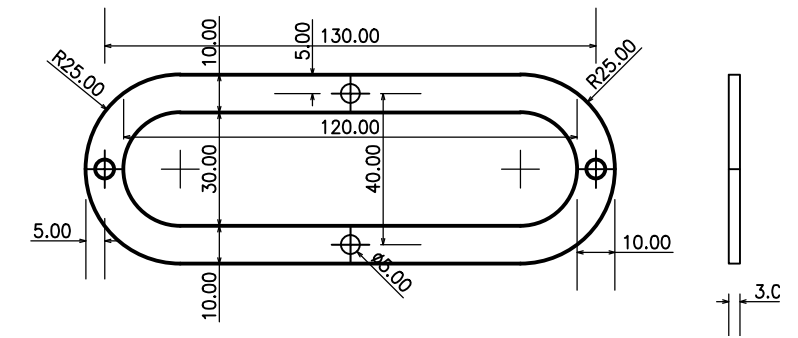
ITEM 9: Toolbox -
Part No 1: Main Frame 001
Material: 2mm M/S Plate



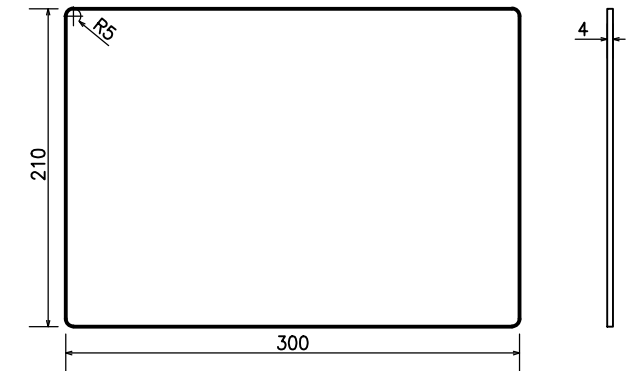
ITEM 9: Toolbox -
Part No 1: Main Frame 001
Material: 2mm M/S Plate



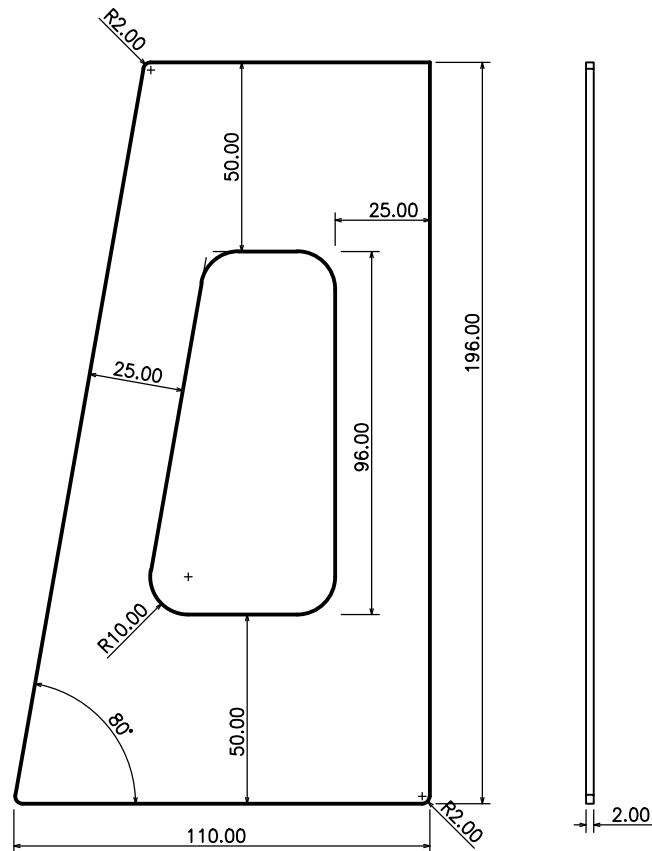
ITEM 9: Toolbox -
Part No 4: Handle 004
Material: 3mm M/S Plate



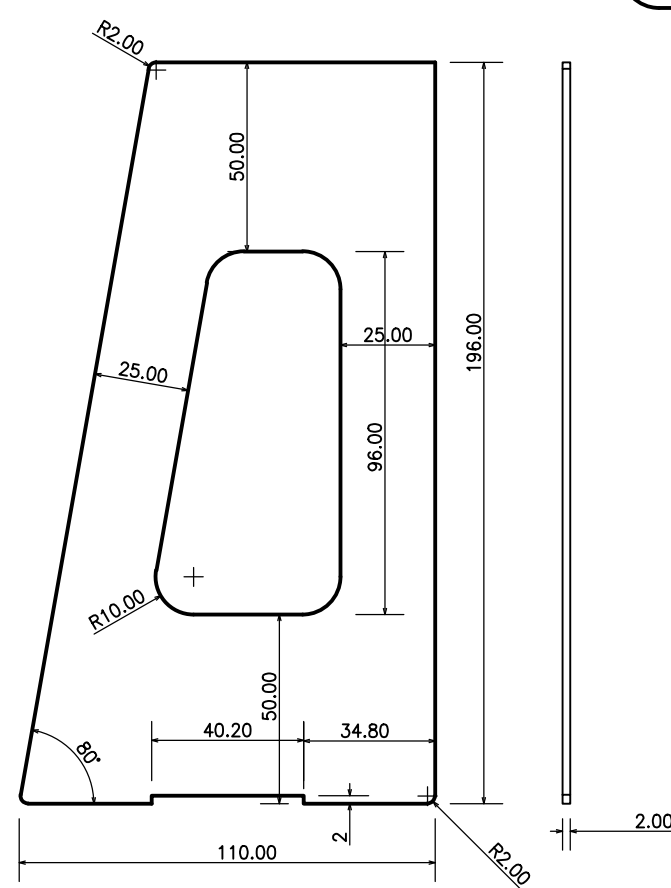
ITEM 9: Toolbox -
Part No 8: Magnetic White Board 008
Material: 4mm Magnetic White MDF Board



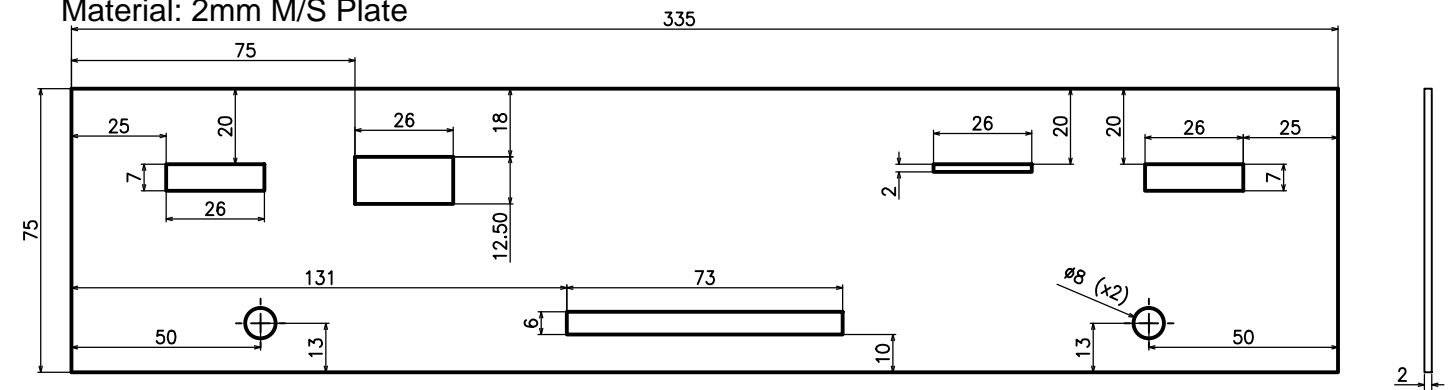
ITEM 9: Toolbox -
Part No 2: Main Frame Side 002
Material: 5mm M/S Plate



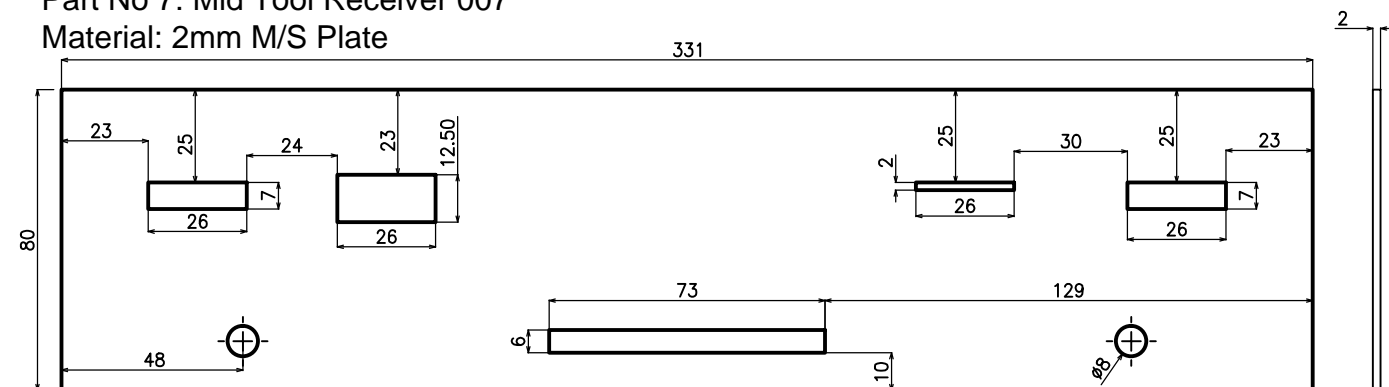
ITEM 9: Toolbox -
Part No 3: Main Frame Side 003
Material: 5mm M/S Plate



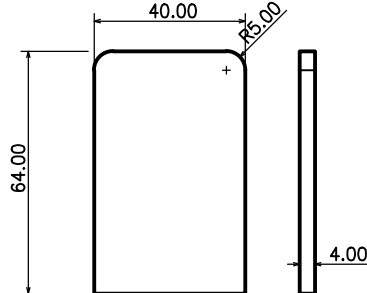
ITEM 9: Toolbox -
Part No 5: Top Tool Receiver 005
Material: 2mm M/S Plate



ITEM 9: Toolbox -
Part No 7: Mid Tool Receiver 007
Material: 2mm M/S Plate



ITEM 9: Toolbox -
Part No 6: Connector 006
Material: 4mm M/S Plate



POST PRIMARY SCHOOL FIXED FURNITURE DETAIL

3 STUDENT TECHNOLOGY WORKSTATION

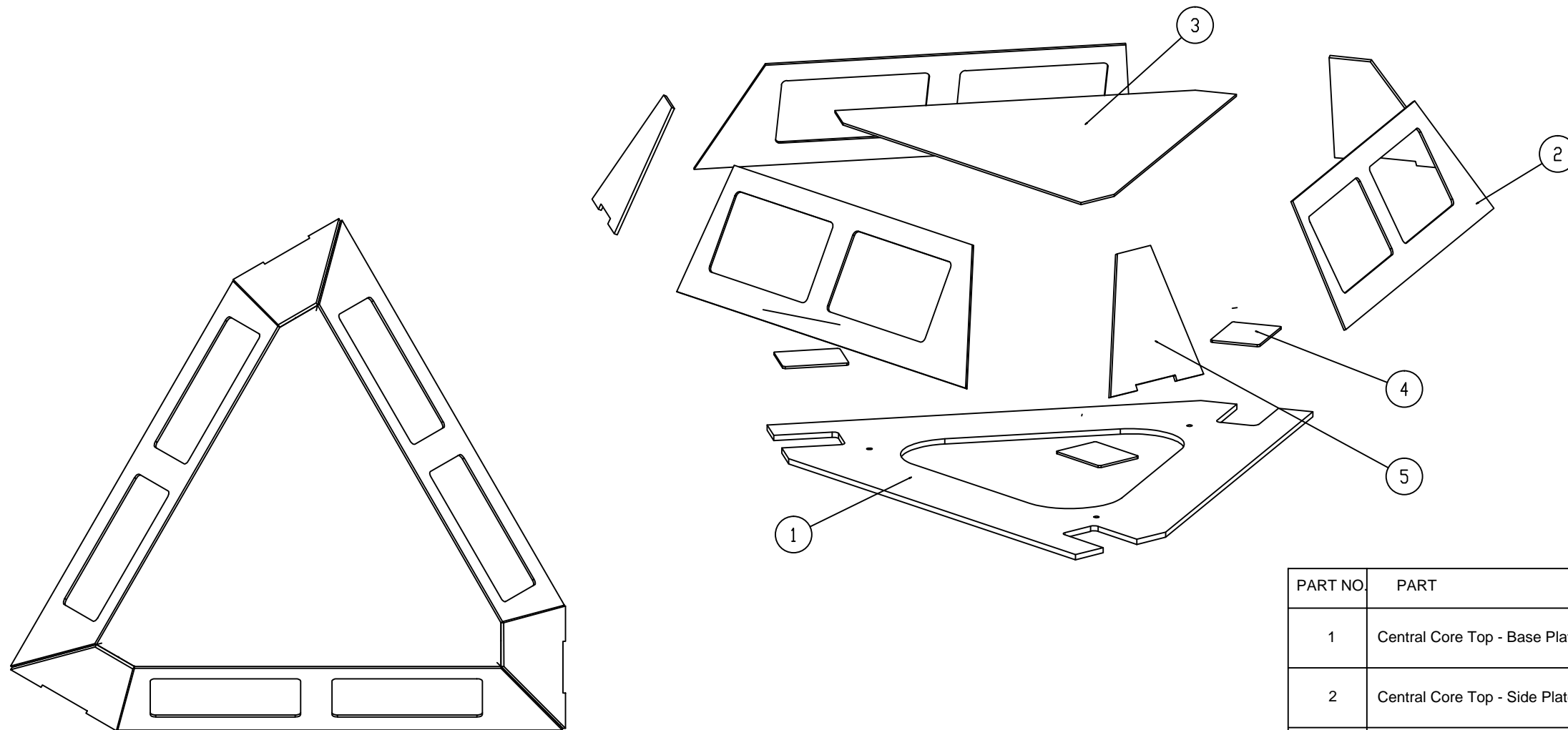
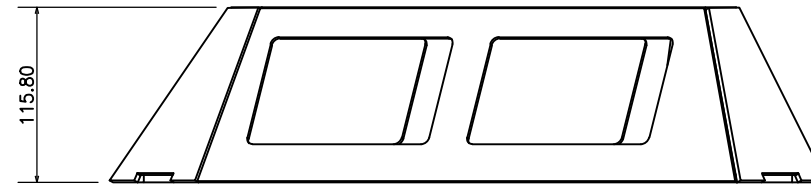
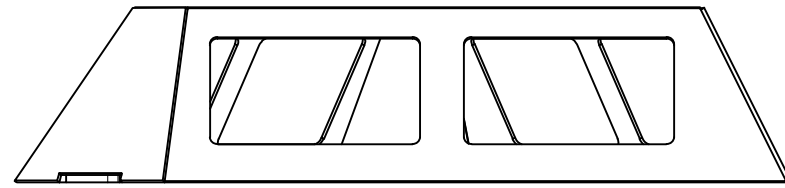
DRG NO:	SHEET TITLE:	SHEET NO:	ISSUE NO:	SCALE:	DATE:
3S-TECH-WS/13	TOOLBOX - 001, 002, 003, 004, 005, 006, 007 & 008.	13 OF 20	ISSUE 01	1:2 & 1:5.	MARCH 2017

AN ROINN OIDEACHAIS AGUS SCILEANNA
THE DEPARTMENT OF EDUCATION AND SKILLS

PLANNING AND BUILDING UNIT



ITEM 21: Central Core Top - Assembly
Material: M/S Plate



PART NO.	PART	MATERIAL	COLOUR	QTY.
1	Central Core Top - Base Plate 001	5mm M/S Plate	RAL 7035	1
2	Central Core Top - Side Plate 002	2mm M/S Plate	RAL 7035	3
3	Central Core Top - Top Plate 003	2mm M/S Plate	RAL 7035	1
4	Central Core Top - Bridge Plate 004	2mm M/S Plate	RAL 7035	3
5	Central Core Top - Side Plate 005	2mm M/S Plate	RAL 7035	3

POST PRIMARY SCHOOL FIXED FURNITURE DETAIL

3 STUDENT TECHNOLOGY WORKSTATION

DRG NO:
3S-TECH-WS/14

SHEET TITLE:
WORKSTATION - CENTRAL CORE TOP - ASSEMBLY

SHEET NO:
14 OF 20

ISSUE NO:
ISSUE 01

SCALE:
1:5.

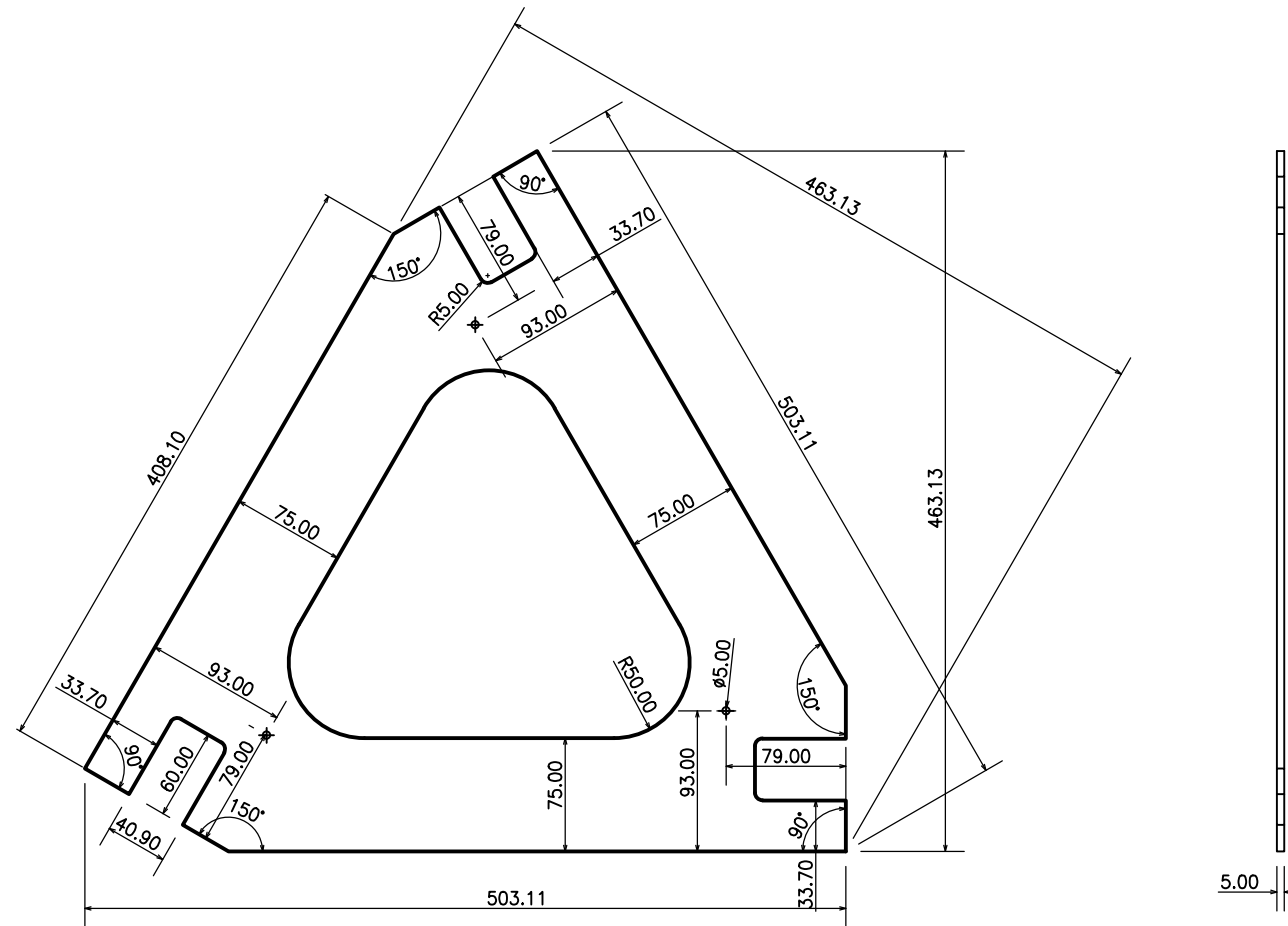
DATE:
MARCH 2017

AN ROINN OIDEACHAIS AGUS SCILEANNA
THE DEPARTMENT OF EDUCATION AND SKILLS

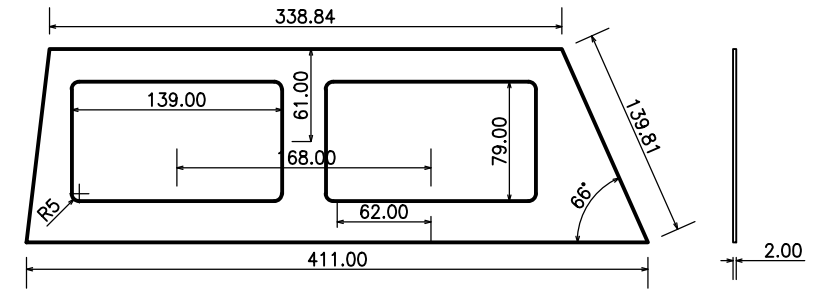
PLANNING AND BUILDING UNIT



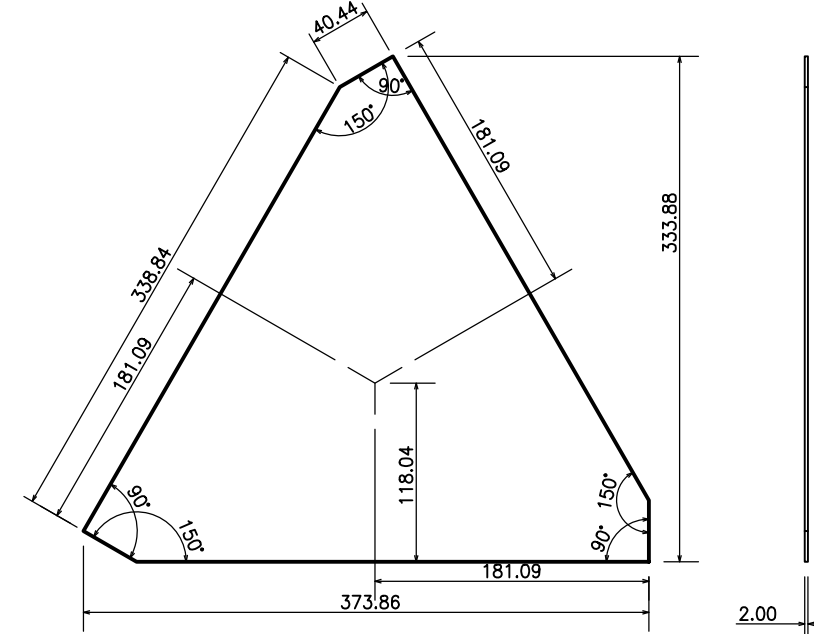
ITEM 21: Central Core Top -
Part No 1: Base Plate 001
Material: 5mm M/S Plate



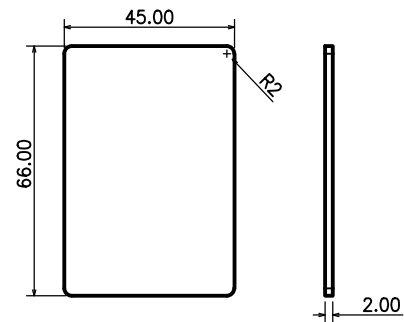
ITEM 21: Central Core Top -
Part No 2: Side Plate 002
Material: 2mm M/S Plate



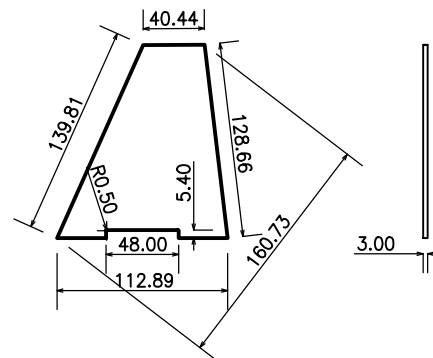
ITEM 21: Central Core Top -
Part No 3: Top Plate 003
Material: 2mm M/S Plate



ITEM 21: Central Core Top -
Part No 4: Bridge Plate 004
Material: 2mm M/S Plate



ITEM 21: Central Core Top -
Part No 5: Side Plate 005
Material: 2mm M/S Plate



POST PRIMARY SCHOOL FIXED FURNITURE DETAIL

3 STUDENT TECHNOLOGY WORKSTATION

DRG NO:
3S-TECH-WS/15

SHEET TITLE:
WORKSTATION - CENTRAL CORE TOP

SHEET NO:
15 OF 20

ISSUE NO:
ISSUE 01

SCALE:
1:2 & 1:5

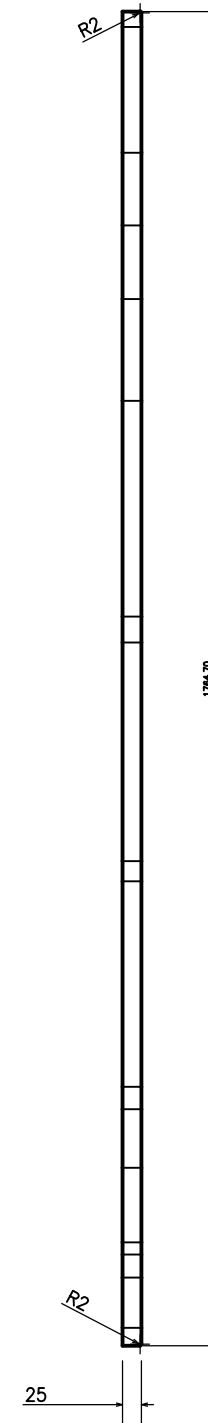
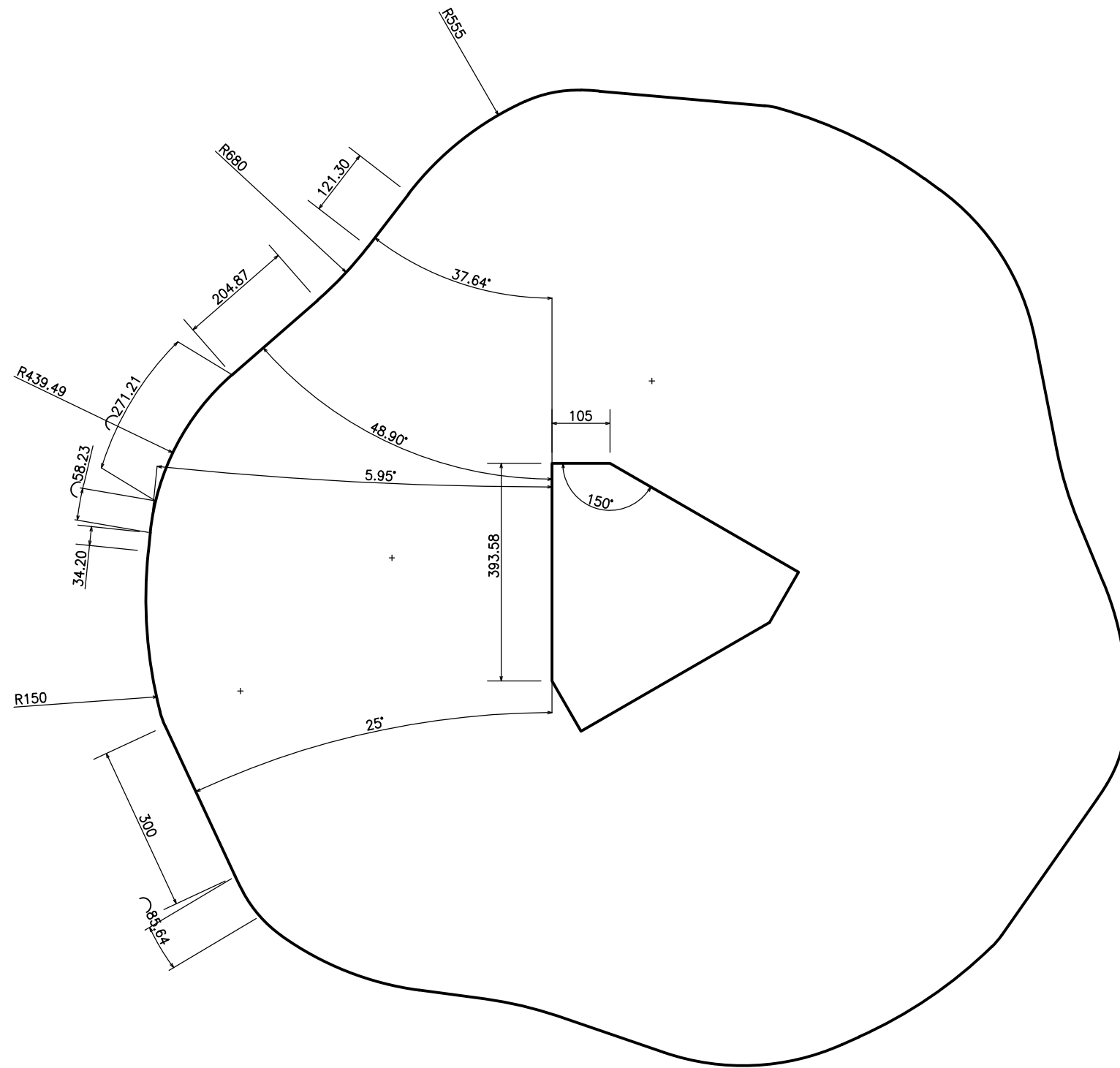
DATE:
MARCH 2017

AN ROINN OIDEACHAIS AGUS SCILEANNA
THE DEPARTMENT OF EDUCATION AND SKILLS

PLANNING AND BUILDING UNIT



ITEM 22: Counter Top - Base Support
 Material: 25mm Moisture Resistant MDF with grey primer applied after sanding,
 then RAL 9005 Black AC2 paint spray applied to under side and all exposed edges.



POST PRIMARY SCHOOL FIXED FURNITURE DETAIL					
3 STUDENT TECHNOLOGY WORKSTATION					
DRG NO: 3S-TECH-WS/16	SHEET TITLE: WORKSTATION - COUNTER TOP - BASE SUPPORT	SHEET NO: 16 OF 20	ISSUE NO: ISSUE 01	SCALE: 1:10	DATE: MARCH 2017

AN ROINN OIDEACHAIS AGUS SCILEANNA
 THE DEPARTMENT OF EDUCATION AND SKILLS

PLANNING AND BUILDING UNIT

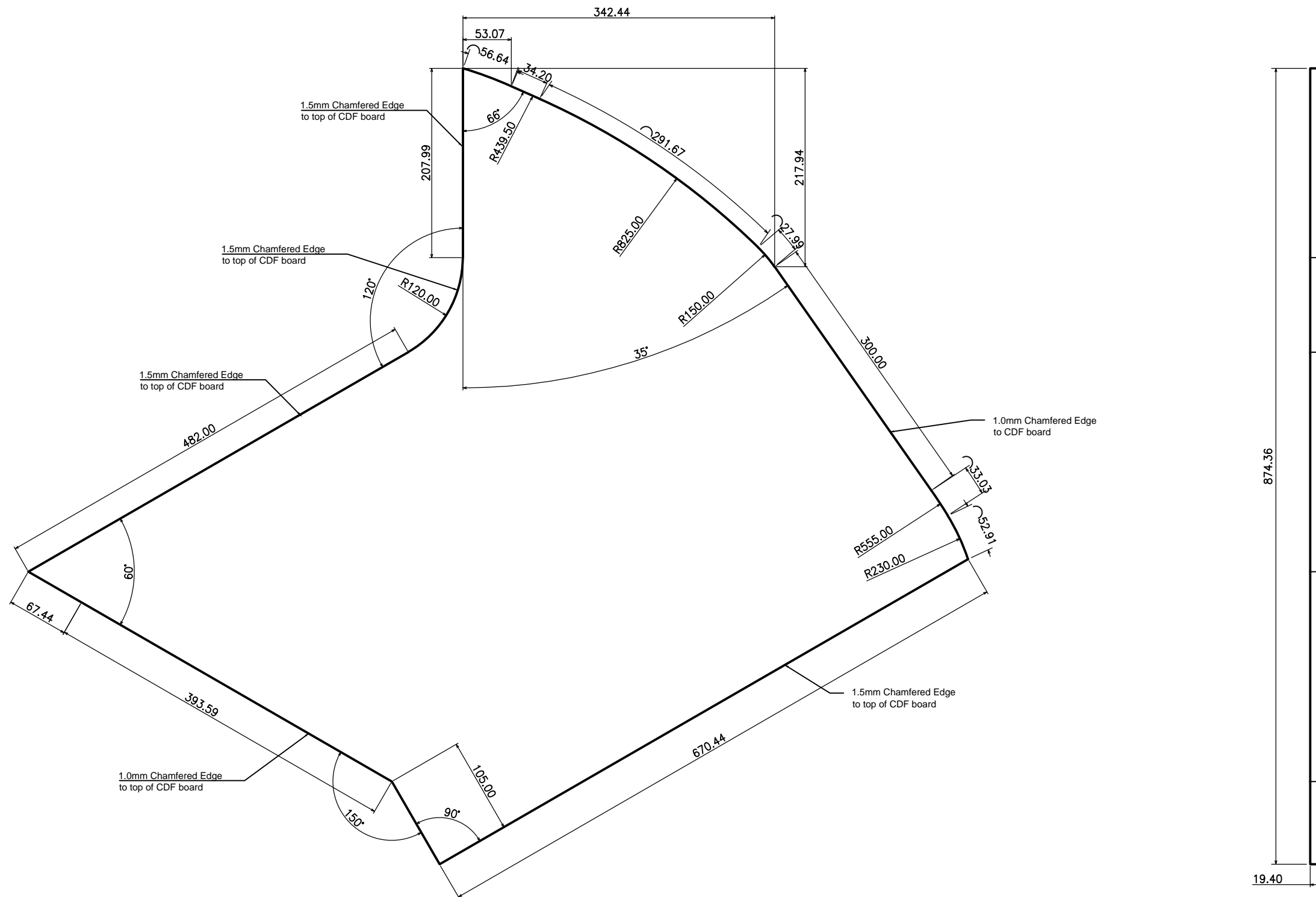


ITEM 24: Counter Top - Piece 002 - RAL 7035

Material: 19.4mm CDF - exposed edges to be sanded & Clear Wax finish applied.

Note: 1.0mm Chamfered edge to all exposed edges.

Note: 1.5mm Chamfered edge to top of all joining edges.



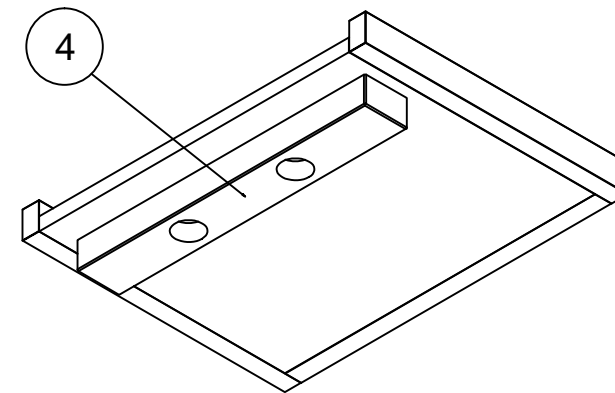
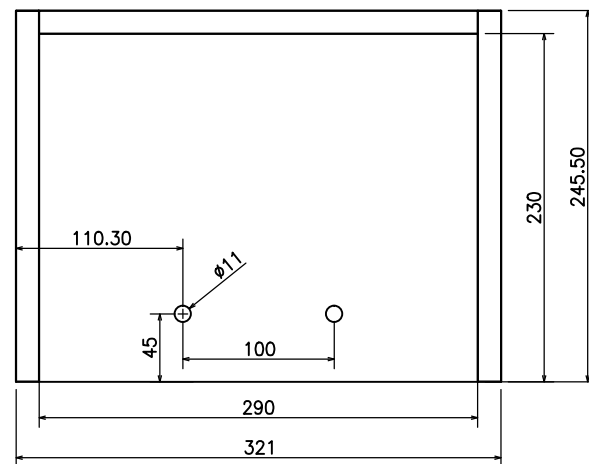
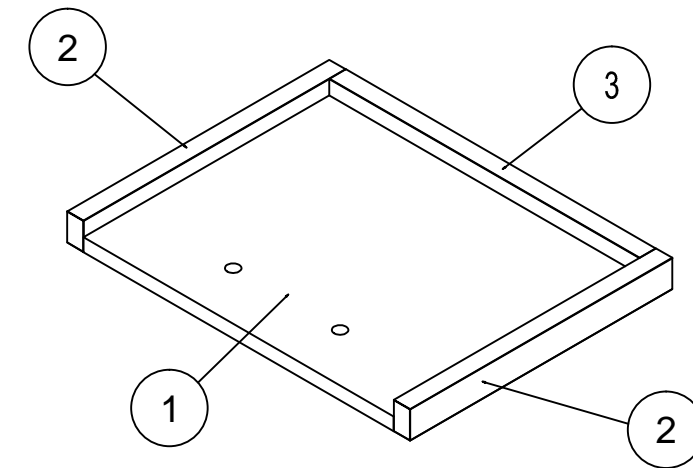
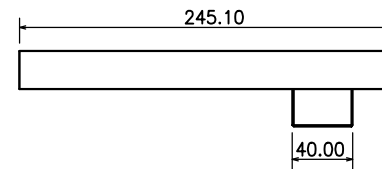
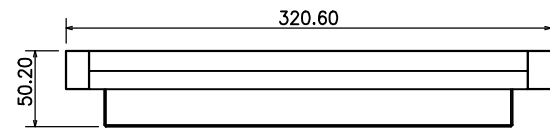
POST PRIMARY SCHOOL FIXED FURNITURE DETAIL					
3 STUDENT TECHNOLOGY WORKSTATION					
DRG NO: 3S-TECH-WS/18	SHEET TITLE: WORKSTATION - COUNTER TOP - PIECE 002	SHEET NO: 18 OF 20	ISSUE NO: ISSUE 01	SCALE: 1:5	DATE: MARCH 2017

AN ROINN OIDEACHAIS AGUS SCILEANNA
THE DEPARTMENT OF EDUCATION AND SKILLS

PLANNING AND BUILDING UNIT



ITEM 1: Mechanic's Vice Tray - Assembly
 Material: Birch Plywood & Solid Beech



PART No.	PART	MATERIAL	QTY.
1	Vice Tray - Tray Piece 001	12mm Birch Plywood	1
2	Vice Tray - Edging Piece 002	Solid Beech Hardwood	2
3	Vice Tray - Edging Piece 003	Solid Beech Hardwood	1
4	Vice Tray - Mounting Block 004	Solid Beech Hardwood	1

POST PRIMARY SCHOOL FIXED FURNITURE DETAIL

3 STUDENT TECHNOLOGY WORKSTATION

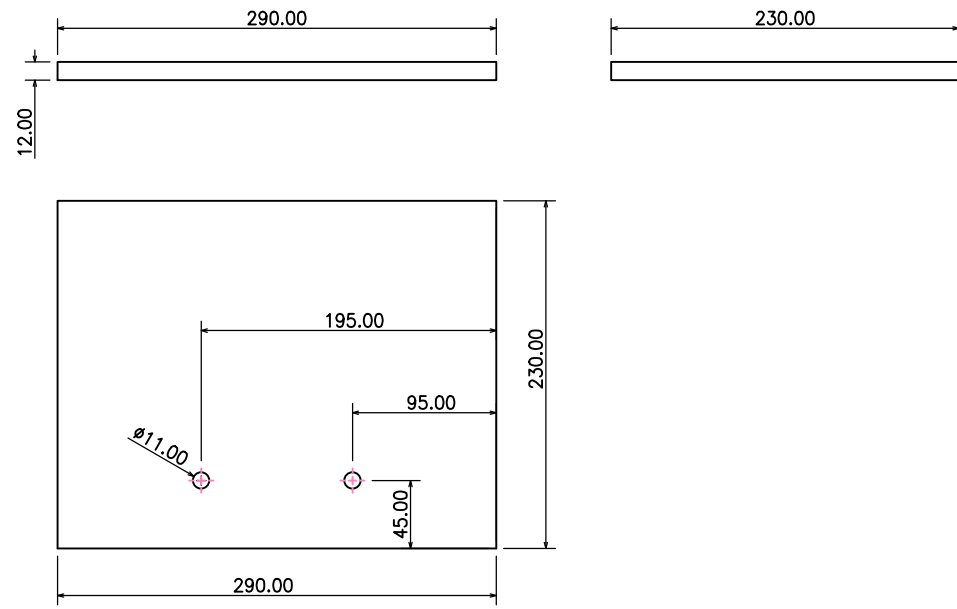
DRG NO: 3S-TECH-WS/19	SHEET TITLE: WORKSTATION - MECHANIC'S VICE TRAY ASSEMBLY	SHEET NO: 19 OF 20	ISSUE NO: ISSUE 01	SCALE: 1:5	DATE: MARCH 2017
--------------------------	-------------------------------------------------------------	-----------------------	-----------------------	---------------	---------------------

AN ROINN OIDEACHAIS AGUS SCILEANNA
 THE DEPARTMENT OF EDUCATION AND SKILLS

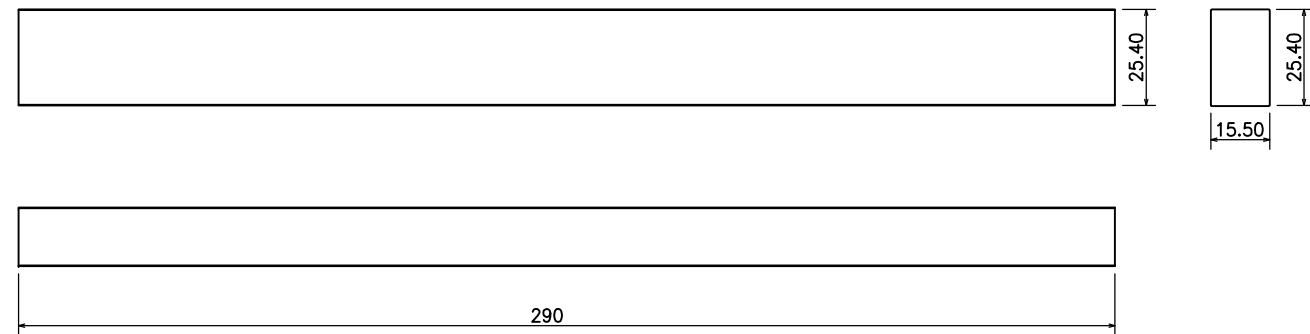
PLANNING AND BUILDING UNIT



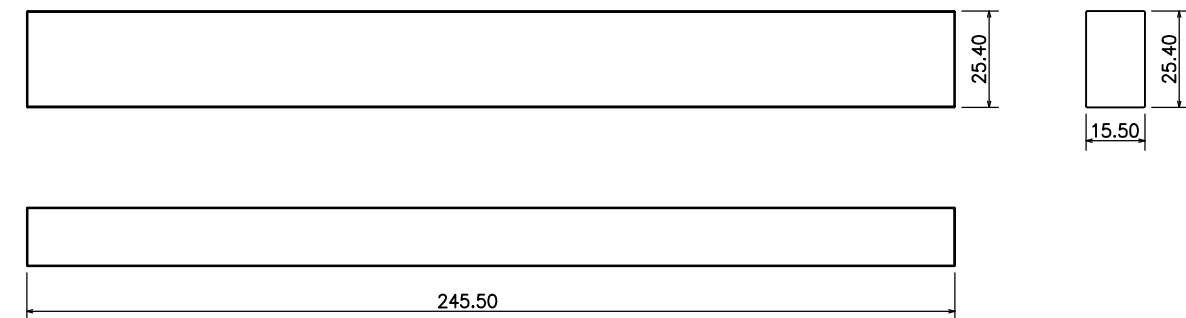
ITEM 1: Mechanic's Vice Tray
 PART No 1: Tray Piece 001
 Material: 11mm Birch Plywood



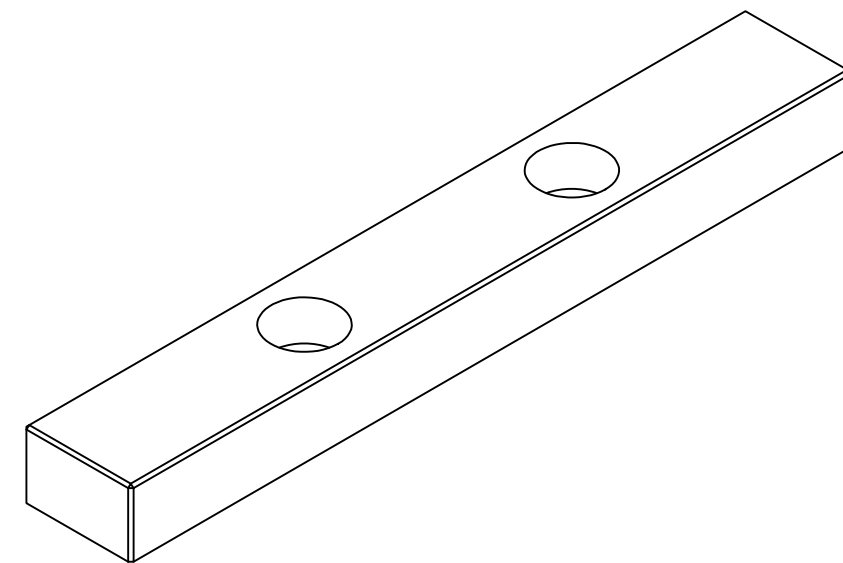
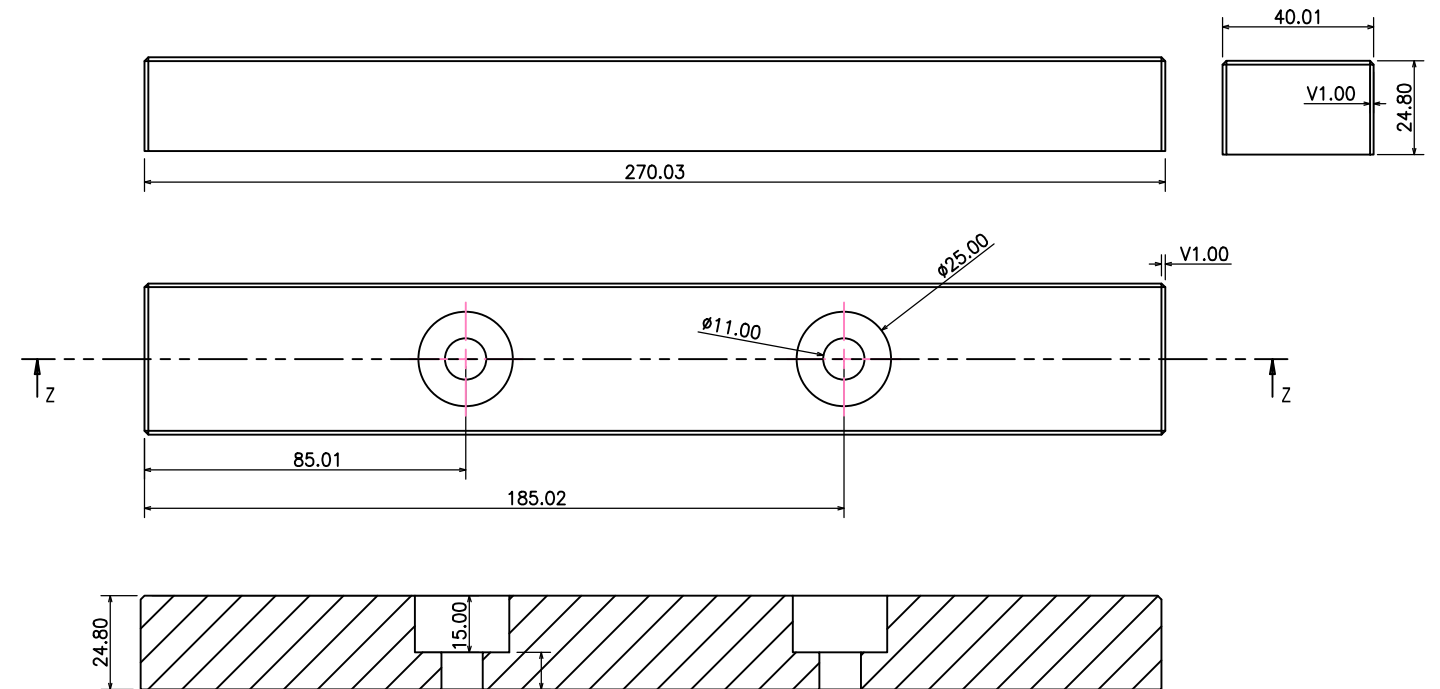
ITEM 1: Mechanic's Vice Tray
 PART No 2: Edging Piece 002
 Material: Solid Beech Hardwood



ITEM 1: Mechanic's Vice Tray
 PART No 3: Edging Piece 003
 Material: Solid Beech Hardwood



ITEM 1: Mechanic's Vice Tray
 PART No 4: Mounting Block 004
 Material: Solid Beech Hardwood



POST PRIMARY SCHOOL FIXED FURNITURE DETAIL					
3 STUDENT TECHNOLOGY WORKSTATION					
DRG NO: 3S-TECH-WS/20	SHEET TITLE: WORKSTATION - MECHANIC'S VICE TRAY	SHEET NO: 20 OF 20	ISSUE NO: ISSUE 01	SCALE: 1:2 & 1:5	DATE: MARCH 2017

AN ROINN OIDEACHAIS AGUS SCILEANNA
 THE DEPARTMENT OF EDUCATION AND SKILLS
 PLANNING AND BUILDING UNIT

