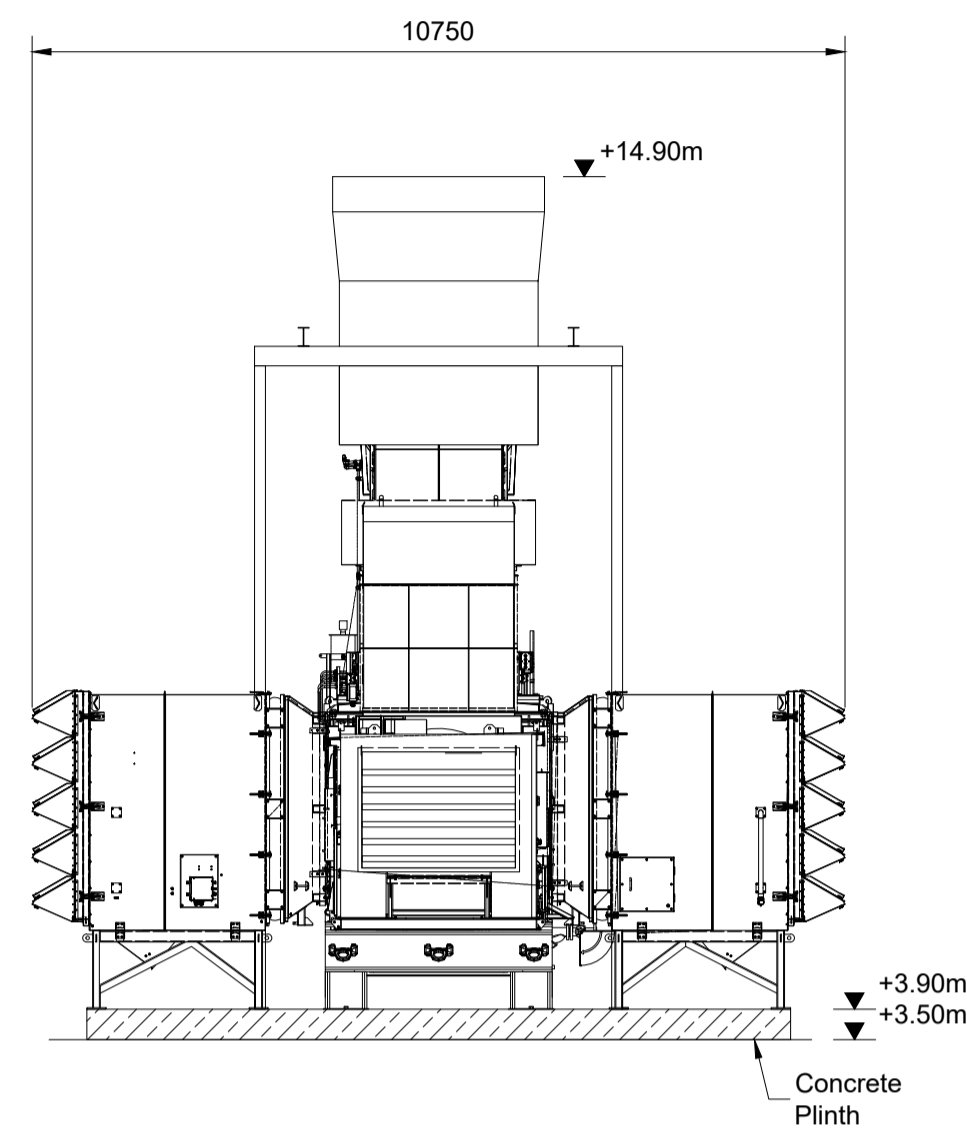
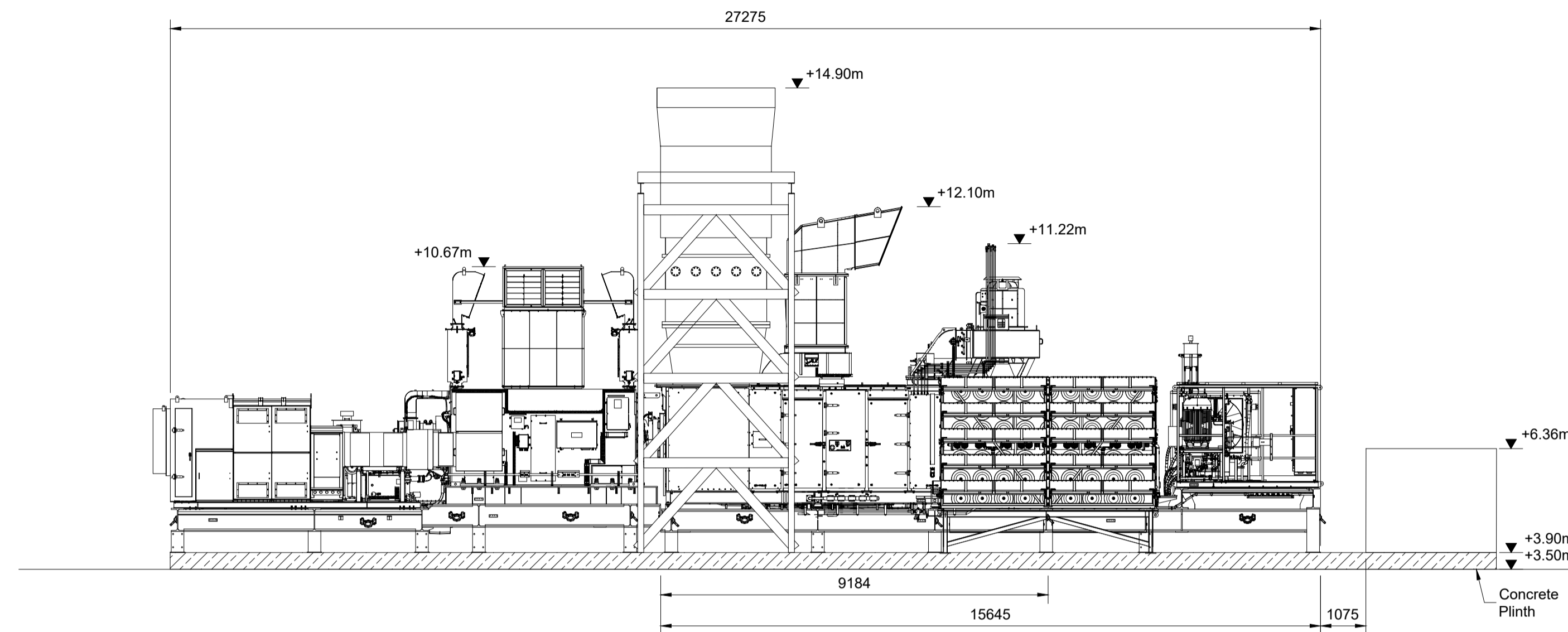


- Notes
1. For planning purposes only.
 2. All dimensions are in millimetres unless otherwise noted.
 3. All levels are in metres above Malin Head datum.

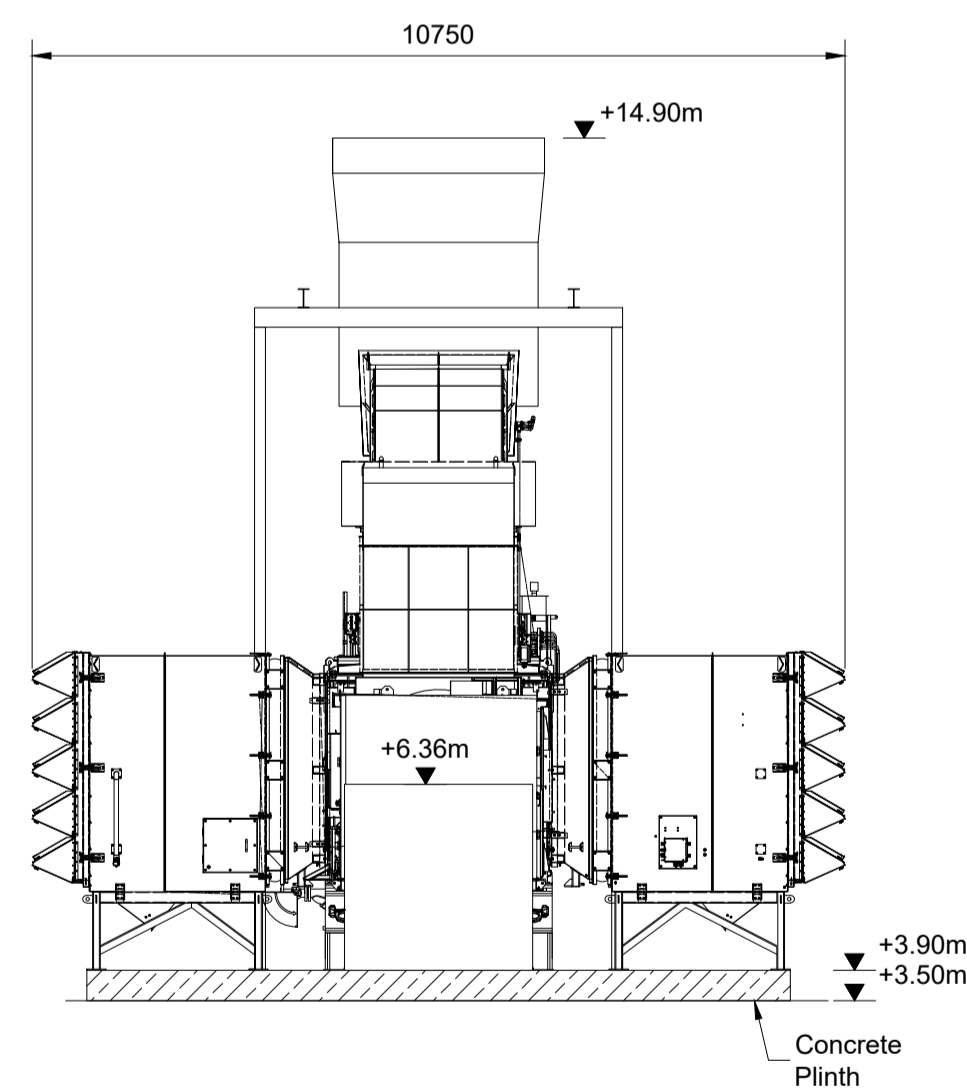
Key to symbols



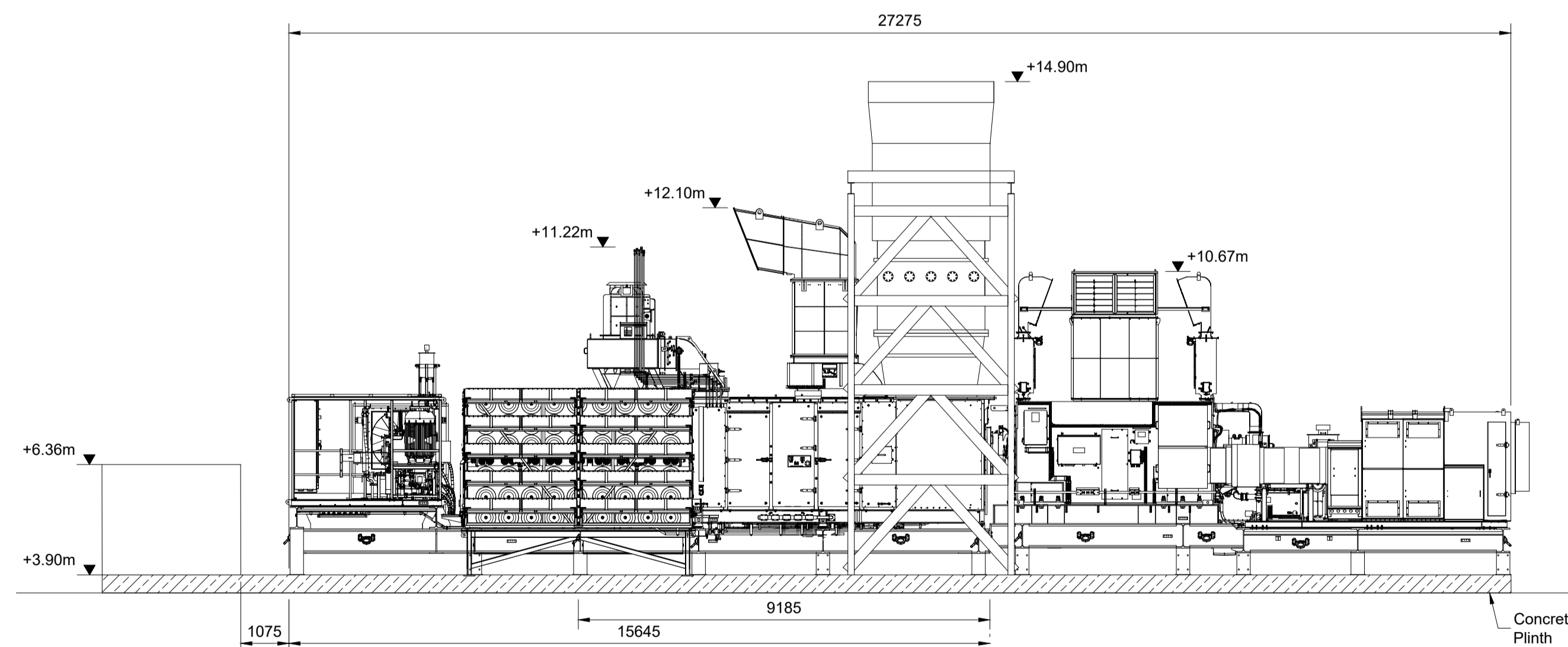
EAST ELEVATION VIEW



West Elevation



WEST ELEVATION VIEW



East Elevation

Reference drawings
 229101053-MMD-00-XX-DR-C-0011 Proposed Site Layout
 229101053-MMD-00-XX-DR-C-0050 Emergency Power Generation Plant - Plan Layout

Rev	Date	Drawn	Description	Ch'k'd	App'd
PL2	20/06/2022	SHY	Issued for Planning	ESB	DH
PL1	27/05/2022	SHY	Issued for Planning	ESB	DH

M
MOTT
MACDONALD

South Block
 Rockfield
 Dundrum
 Dublin 16
 Ireland
 T +353 (0)1 291 6700
 F
 W www.mottmac.com

Client
Electricity Supply Board

Title
**North Wall Emergency
 Generation Plant**
Proposed Elevations

Designed	ESB	Eng check	ESB
Drawn	S. Healy	Coordination	D. Hassett
Dwg check	L. Gough	Approved	D. Hassett
Scale at A1	Status	Rev	Security
1:100	APR	PL2	STD

Drawing Number
229101053-MMD-00-XX-DR-C-0051

