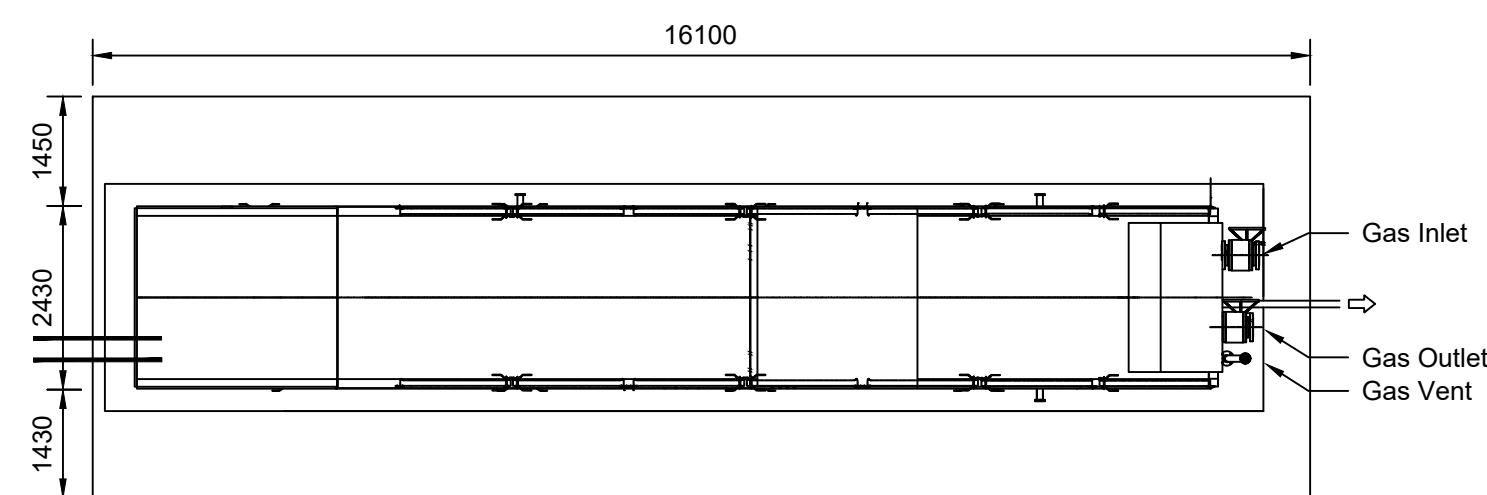
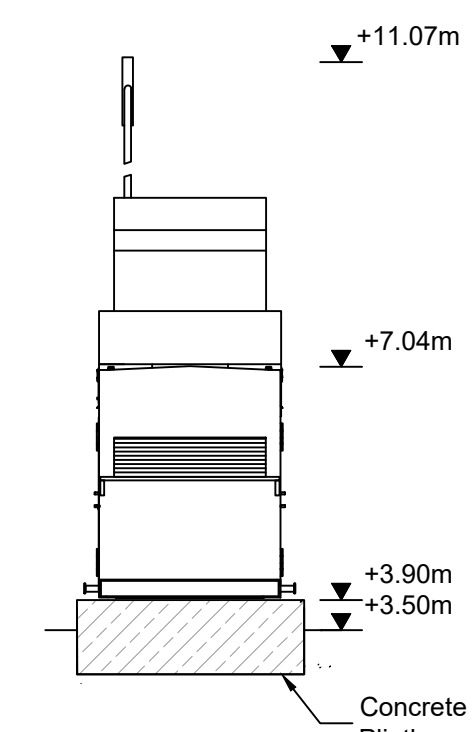




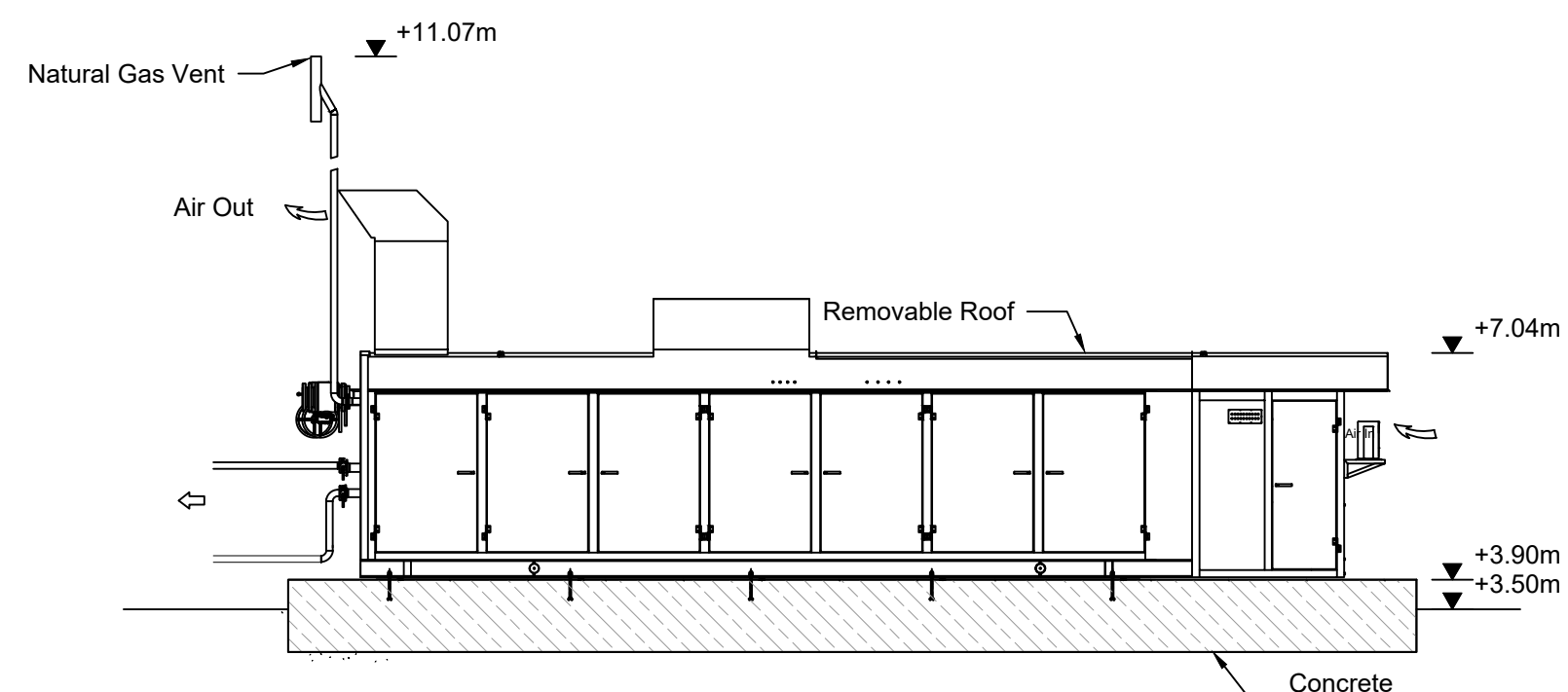
North



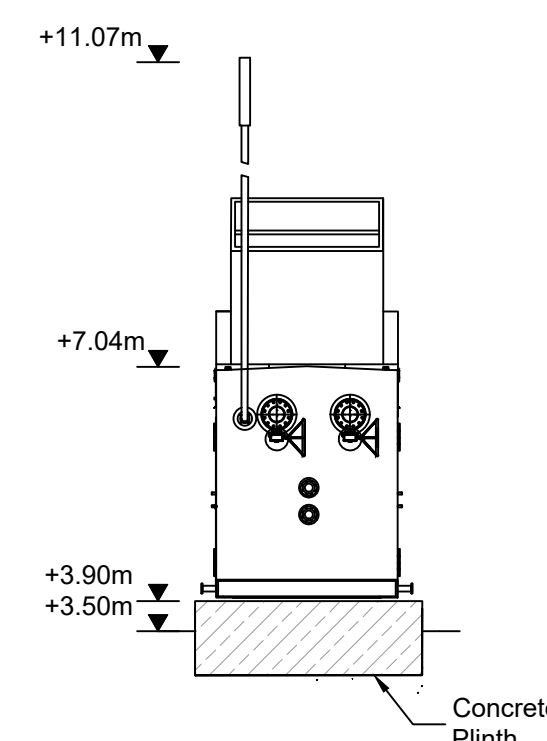
Plan View



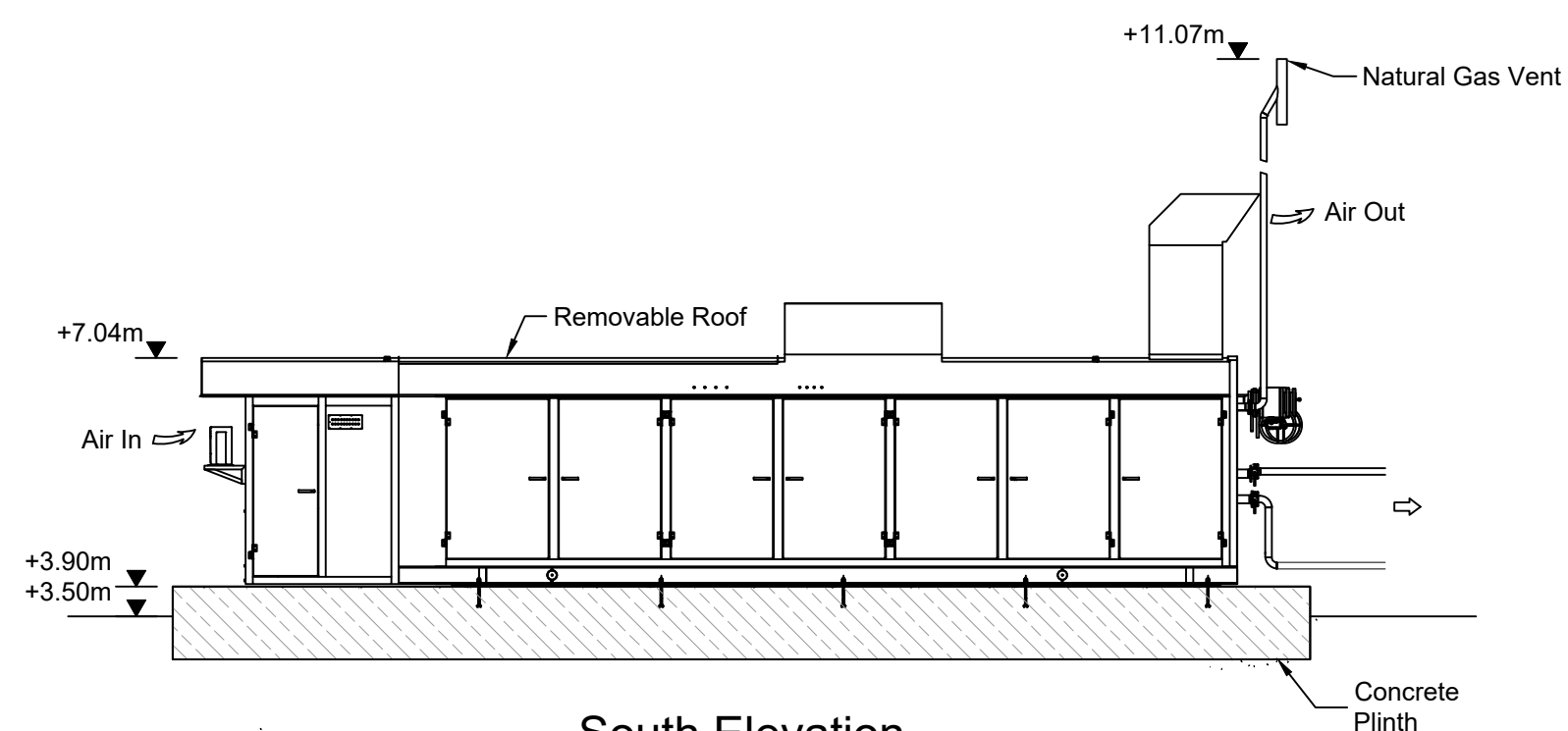
West Elevation



North Elevation



East Elevation



South Elevation

- Notes
1. For planning purposes only.
 2. All dimensions are in millimetres unless otherwise noted.
 3. All levels are in metres above Malin Head datum.

Key to symbols

Reference drawings

229101053-MMD-00-XX-DR-C-0011 Proposed Site Layout

Rev	Date	Drawn	Description	Ch'k'd	App'd
PL2	20/06/2022	SHY	Issued for Planning	ESB	DH
PL1	27/05/2022	SHY	Issued for Planning	ESB	DH

MOTT MACDONALD

South Block
Rockfield
Dundrum
Dublin 16
Ireland
T +353 (0)1 291 6700
F
W www.mottmac.com

Client
Electricity Supply Board

Title
**North Wall Emergency
Generation Plant**

**Gas Compressor Module
Plan Layout & Elevations**

Designed	ESB	Eng check	ESB
Drawn	S. Healy	Coordination	D. Hassett
Dwg check	L. Gough	Approved	D. Hassett
Scale at A1	Status	Rev	Security
1:100	APR	PL2	STD

Drawing Number
229101053-MMD-00-XX-DR-C-0054

