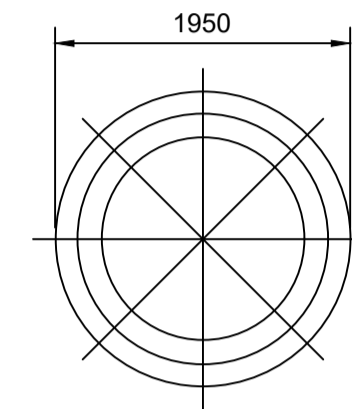
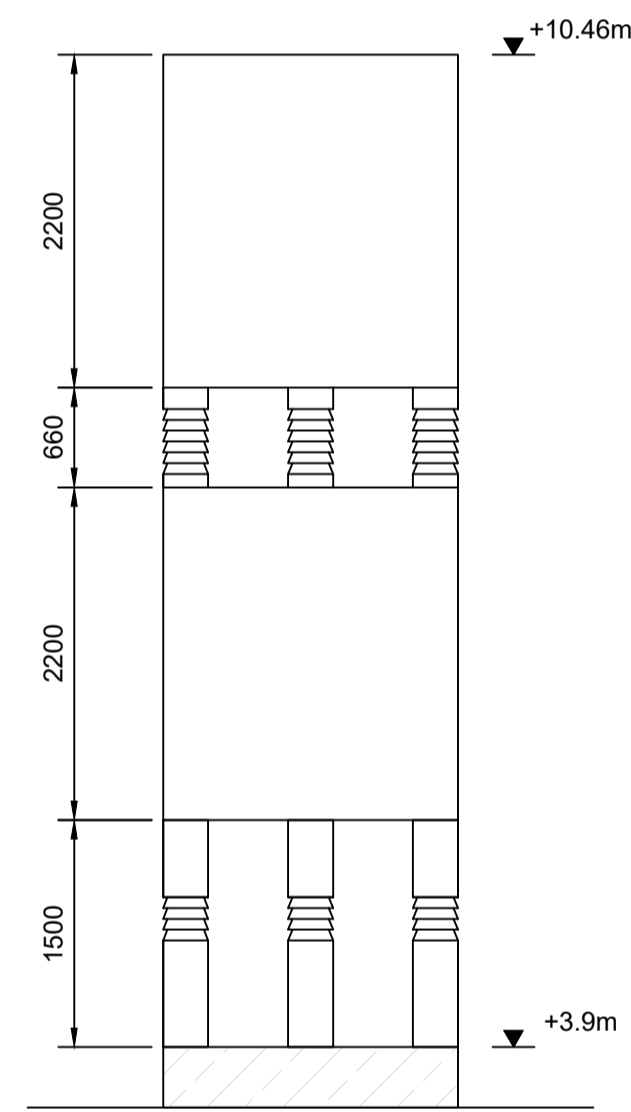


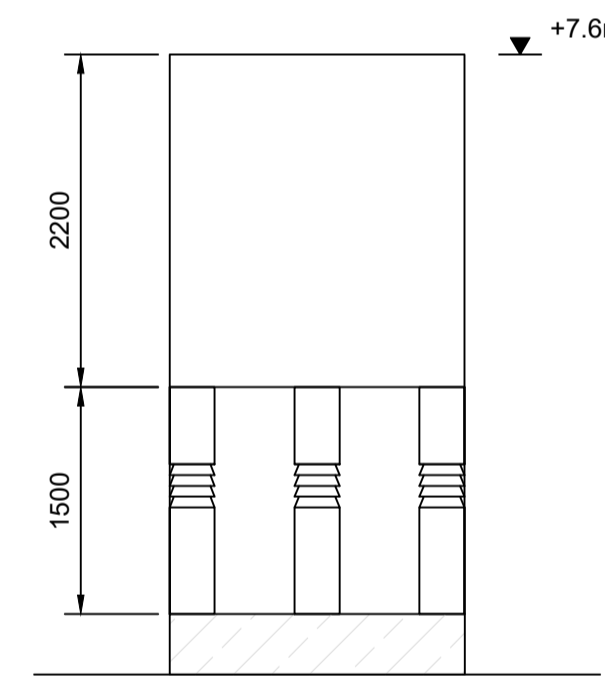
Reactor (Double Height)
Plan View



Reactor (Single Height)
Plan View



Reactor (Double Height)
Elevation View



Reactor (Single Height)
Elevation View

Notes

1. For planning purposes only.
2. All dimensions are in millimetres unless otherwise noted.
3. All levels are in metres above Malin Head datum.

Key to symbols

Reference drawings

229101053-MMD-00-XX-DR-C-0011 Proposed Site Layout

Rev	Date	Drawn	Description	Ch'k'd	App'd
PL2	20/06/2022	SHY	Issued for Planning	ESB	DH
PL1	27/05/2022	SHY	Issued for Planning	ESB	DH

	South Block Rockfield Dundrum Dublin 16 Ireland T +353 (0)1 291 6700 F W www.mottmac.com
--	---

Client
Electricity Supply Board

Title
North Wall Emergency
Generation Plant

Reactors
Plan Layouts & Elevations

Designed	ESB	Eng check	ESB
Drawn	S. Healy	Coordination	D. Hassett
Dwg check	L. Gough	Approved	D. Hassett

Scale at A1	Status	Rev	Security
1:50	APR	PL2	STD

Drawing Number
229101053-MMD-00-XX-DR-C-0056

