

IRELAND

**COMPETENT AUTHORITY,
SHEEP AND GOAT EAR TAGS,
MODEL DISPATCH DOCUMENT
AND FLOCK REGISTER**

Competent authority:

Department of Agriculture, Food and the Marine
Agriculture House
Kildare St
Dublin 2

Tel.: +353 1 607 2000
Fax.: +353 1 661 6263

Contact Persons:

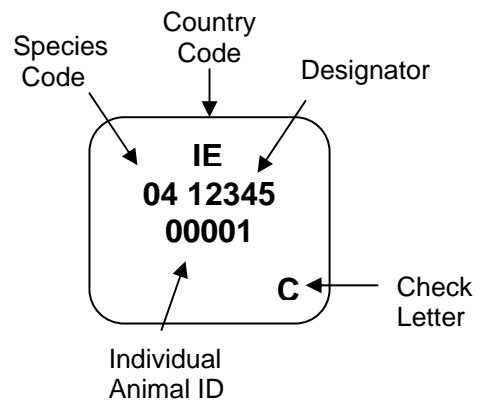
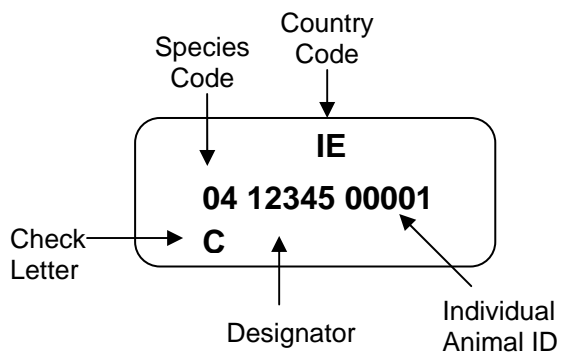
Mr Martin Farrell

Tel.: +353 1 5058624
Fax.: +353 1 6616263
Email: martin.farrell@agriculture.gov.ie

Dr Margaret Good

Tel.: +353 1 607 2265
Fax.: +353 1 607 2332
Email: margaret.good@agriculture.gov.ie

EXAMPLES OF THE LAYOUT OF THE TAG NUMBER ON A SHEEP EAR TAG



Date	Event Code	Number of Sheep	Dispatch document serial number	Tag Number(s)*	Individual tag number replaced**	Remarks and/or Breed and Genotype (if known)

SAMPLE

* complete where home-bred sheep are being tagged or where bought in sheep are being upgraded to breeding animals.

** complete only where tags have been lost, or where bought in sheep are being upgraded to breeding animals.

Event Codes:

- T = tagging of sheep
- P = purchases/movement onto holding
- S = sales/movement offholding

- R = replacements
- D = deaths

National Sheep Identification System (NSIS) Sheep Dispatch / Movement Document and Food Chain Information

Document Serial No.



Sheep Designator		Total number of sheep on this document	
Herd/Flock Number			

White Copy - PURCHASER **Pink Copy** - MART (or send to Dept if move is direct from FARM to FARM) **Yellow Copy** - RETAIN FOR YOUR RECORDS

Please enter the **Individual TAG NUMBERS** of sheep leaving the holding here
or alternatively you may attach a list of the tag numbers on an approved continuation sheet

1																					18																
2																						19															
3																						20															
4																						21															
5																						22															
6																						23															
7																						24															
8																						25															
9																						26															
10																						27															
11																						28															
12																						29															
13																						30															
14																						31															
15																						32															
16																						33															
17																						34															

All animals identified above are part of the Lamb Quality Assurance Scheme (LQAS): Yes No

Are the animals resident on the holding from birth? Yes No

If not please specify residency period: 60 days or more 42 days or more less than 42 days (please tick)

Destination of Sheep - Name and Address of Destination (slaughter plant, farm, mart) and Identification Code or Herd Number if known

--	--	--	--	--	--	--	--	--	--	--	--	--	--	--

I declare that all of the sheep in this consignment including those listed on any approved continuation sheet have departed the holding on this date for the destination above and that I have complied with the relevant requirements of the National Sheep Identification System. I also declare to the best of my knowledge and belief that these animals satisfy the Food Chain Information (FCI) statements listed on the reverse of the white copy of this dispatch document.

Flock Keeper's Signature: Date: Time of Loading:

Transporter / Haulier Details from Holding (To be completed by Haulier / Transporter)

Name: Vehicle Reg No. Authorised Transporter No.

I declare that the transport vehicle was clean at the time of loading and that all the sheep described above were able to walk unaided onto the transport vehicle and could be transported in this vehicle without pain or undue suffering.

Transporter / Haulier's Signature: Date:

To be completed by MART

Mart Number M Mart Lot No. Date:

Mart Stamp

Transporter / Haulier Details from Mart

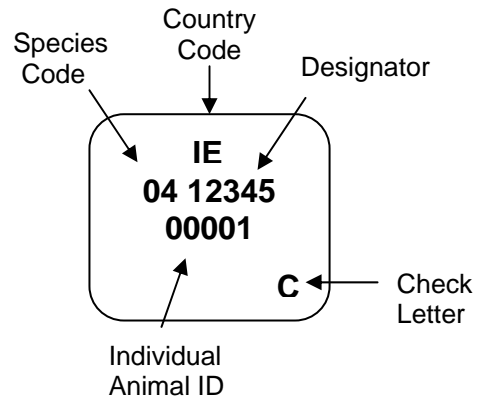
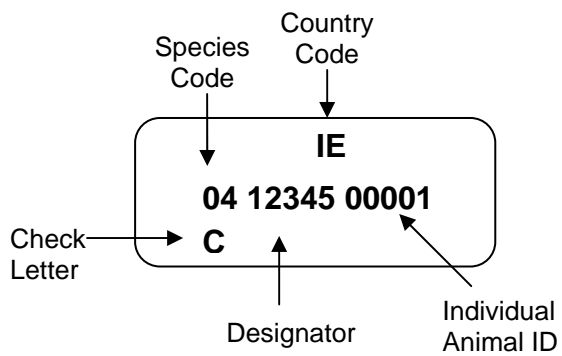
Name: Vehicle Reg No. Authorised Transporter No.

I declare that the transport vehicle was clean at the time of loading and that all the sheep described above were able to walk unaided onto the transport vehicle and could be transported in this vehicle without pain or undue suffering.

Transporter / Haulier's Signature: Date:

Slaughter Plant Declaration and Official Veterinarian Declaration (where appropriate) on reverse of the white copy of this document

EXAMPLES OF THE LAYOUT OF THE TAG NUMBER ON A GOAT EAR TAG



Date	Event Code	Number of Goats	Dispatch document serial number	Tag Number(s)*	Individual tag number replaced**	Remarks and/or Breed and Genotype (if known)

SAMPLE

* complete where home-bred goats are being tagged.

** complete only where tags have been lost and you are retagging with a new set of tags.

Event Codes:

T = tagging of goats

P = purchases/movement onto holding

S = sales/movement off holding

R = replacements

D = deaths

National Goat Identification System (NGIS)
Goat Dispatch / Movement Document
and Food Chain Information

Document Serial No.



Goat Designator		Total number of goats on this document	
Herd Number			

White Copy - PURCHASER Yellow Copy - MART (or send to Dept if move is direct from FARM to FARM) Blue Copy - RETAIN FOR YOUR RECORDS

Please enter the Individual TAG NUMBERS of goats leaving the holding here e.g. IE041234500001A

1																				
2																				
3																				
4																				
5																				
6																				
7																				
8																				
9																				
10																				
11																				
12																				
13																				
14																				
15																				
16																				
17																				

18																				
19																				
20																				
21																				
22																				
23																				
24																				
25																				
26																				
27																				
28																				
29																				
30																				
31																				
32																				
33																				
34																				

SAMPLE

Destination of Goats - Name and Address of Destination (slaughter plant, farm, mart) and Identification Code or Herd Number if known

I declare that all of the goats in this consignment have departed the holding on this date for the destination above and that I have complied with the relevant requirements of the National Goat Identification System. I also declare that to the best of my knowledge and belief that these animals satisfy the Food Chain Information (FCI) statements listed on the reverse of the white copy of this dispatch document.

Herd Keeper's Signature: Date: Time of Loading:

Transporter / Haulier Details from Holding (To be completed by Haulier / Transporter)

Name: Vehicle Reg No. Authorised Transporter No.

I declare that the transport vehicle was clean at the time of loading and that all the goats described above were able to walk unaided onto the transport vehicle and could be transported in this vehicle without pain or undue suffering.

Transporter / Haulier's Signature: Date:

To be completed by MART

Mart Number M Mart Lot No. Date:

Mart Stamp

Transporter / Haulier Details from Mart

Name: Vehicle Reg No. Authorised Transporter No.

I declare that the transport vehicle was clean at the time of loading and that all the goats described above were able to walk unaided onto the transport vehicle and could be transported in this vehicle without pain or undue suffering.

Transporter / Haulier's Signature: Date:

Slaughter Plant Declaration and Official Veterinarian Declaration (where appropriate) on reverse of the white copy of this document